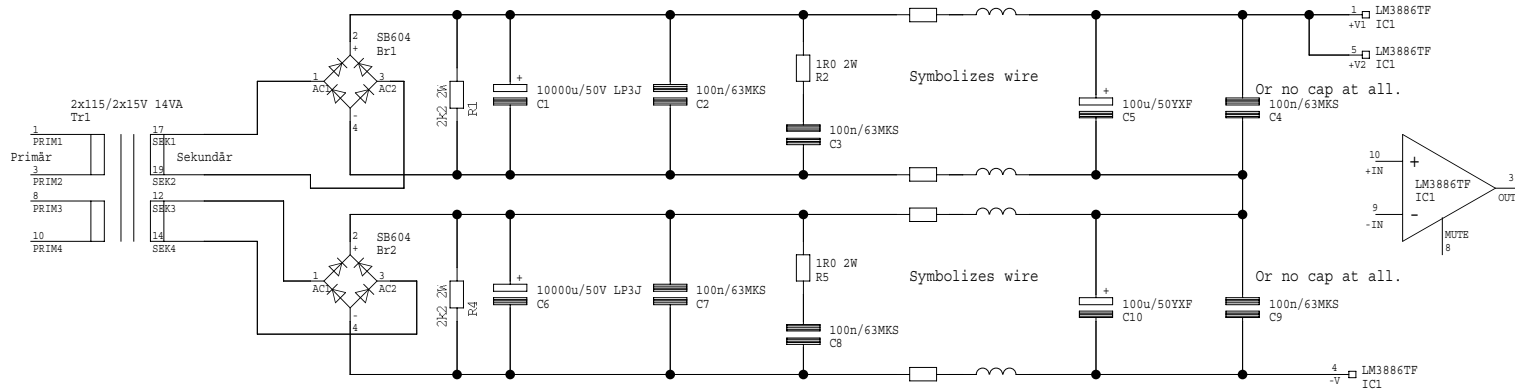
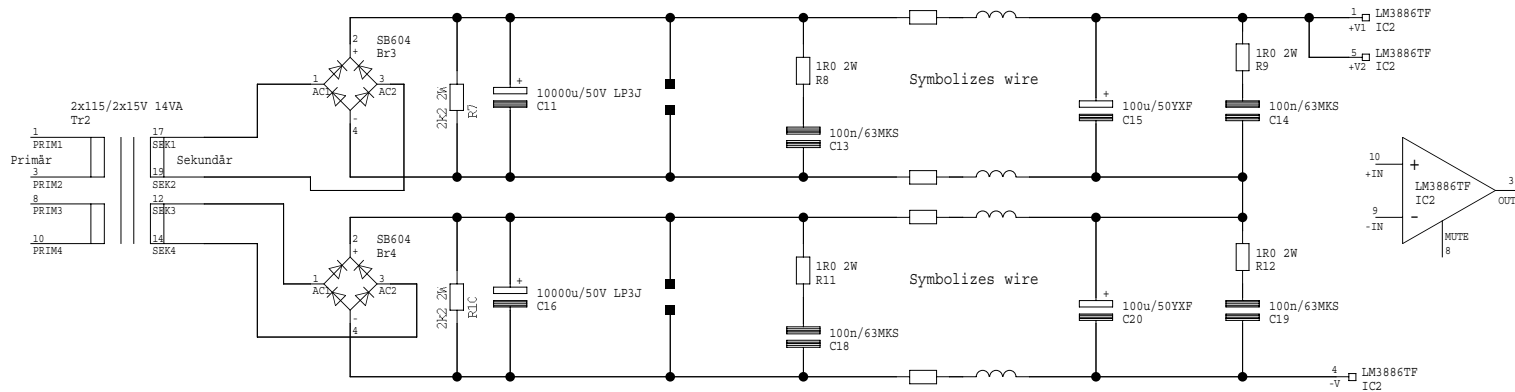


Carlos snubberized PSU



P-A:s enhanced snubberized PSU



Creates an unwanted impedance peak

Company Per-Anders Sjöström		
Product no. Gainclone	Customer diyAudio.com	
Name Gainclone Power Supply Snubberization		
Design carlsofm/P-A	Drawn P-A	Approv. P-A
File name Snubberized_psu	A3 Revision 0	Created 2005-02-25
Printed 2005-02-25	Page 1 of 1	Changed 2005-02-25