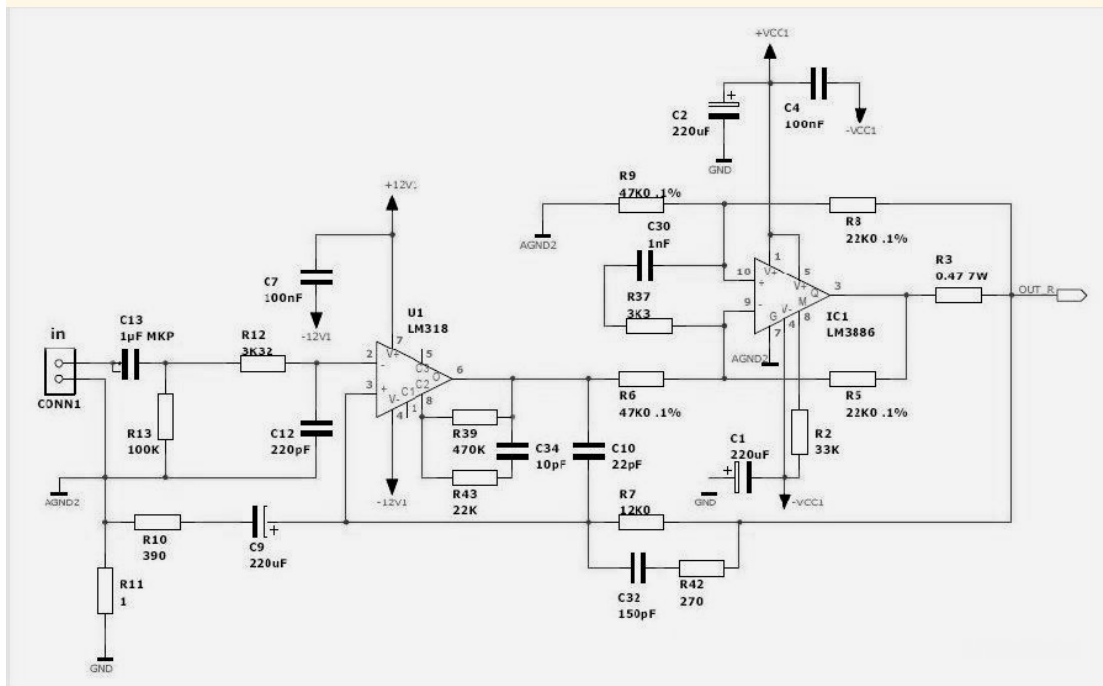


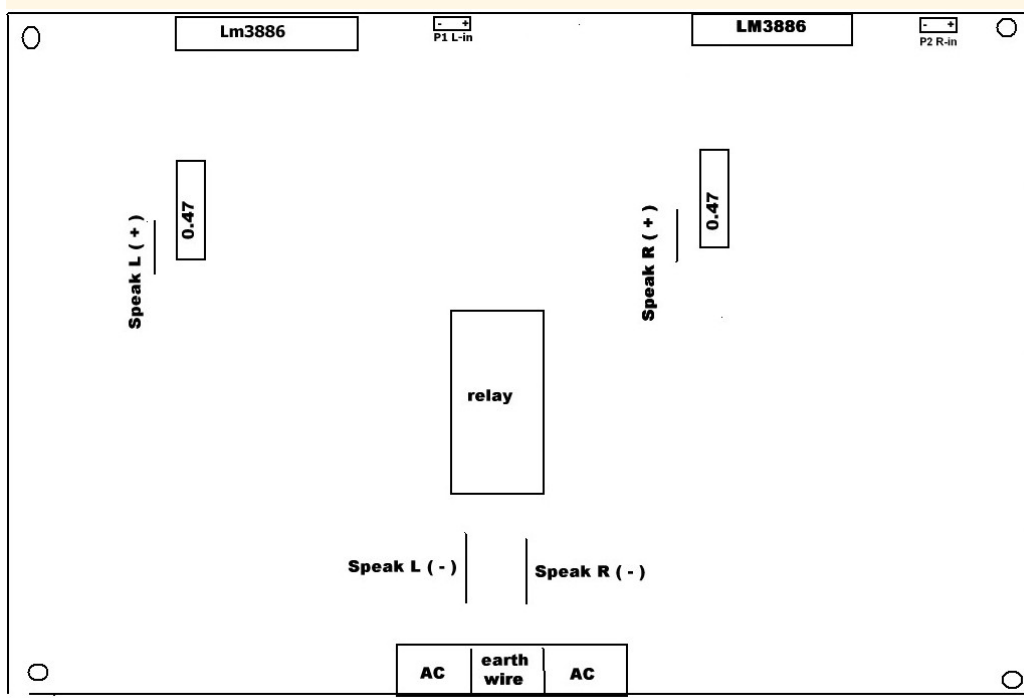
## LM3886 Pure two-channel amplifier

Power 60W \* 2

Recommended input voltage Dual 24 - Dual 28V, transformer selection of more than 100W.



### LM3886 Wiring diagram



**Nimo e-store**

[http://stores.ebay.com/Nimo-e-store\\_W00QssPageNameZl2QQtZkm](http://stores.ebay.com/Nimo-e-store_W00QssPageNameZl2QQtZkm)

---

---

**Email: my\_555@126.com**