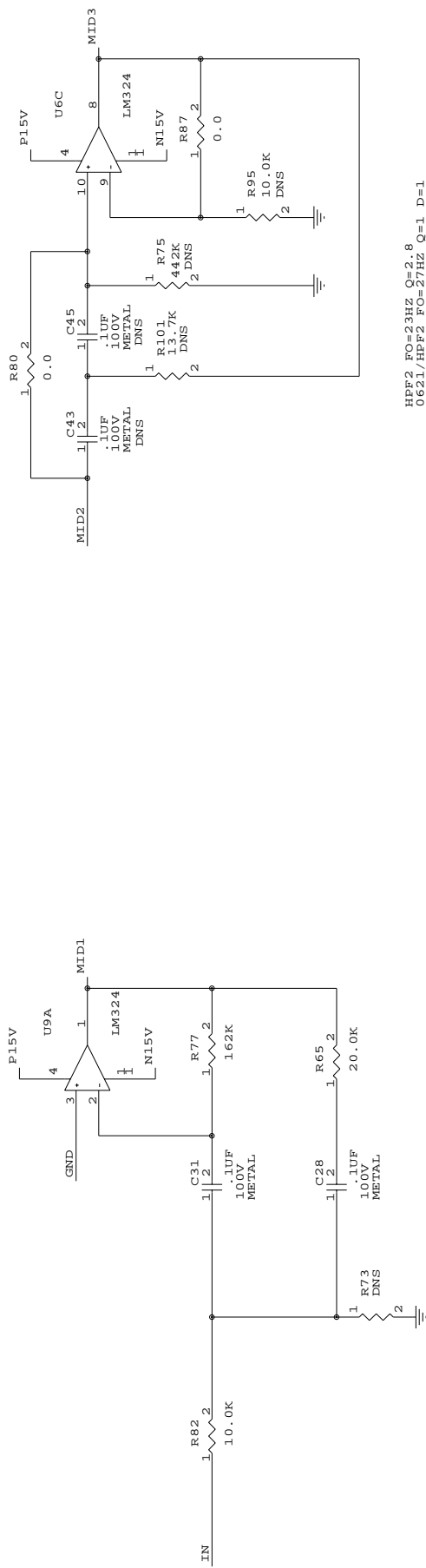


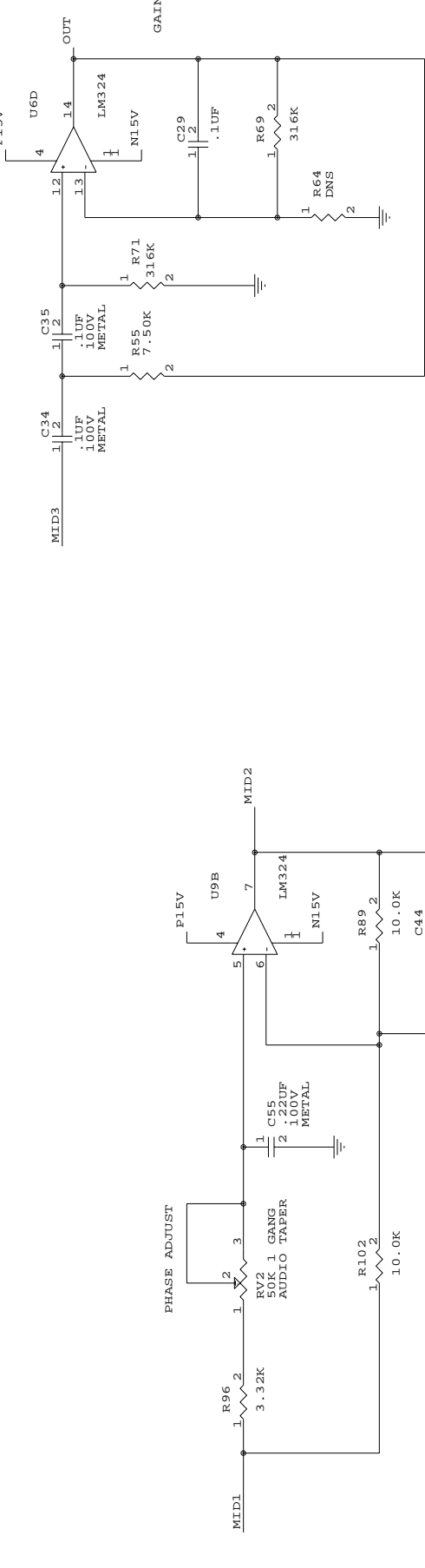
S = SAFTEY SIDE AND IS NOT CONNECTED TO LINE
 L = LINE SIDE AND IS HOT

Title		Definitive Technology Inc.	
Size	B	Document Number	FF15 LOW LEVEL
REV	1	Date	January 12, 2000
REV	1	Sheet	1 of 10

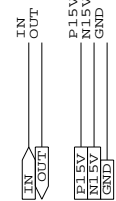
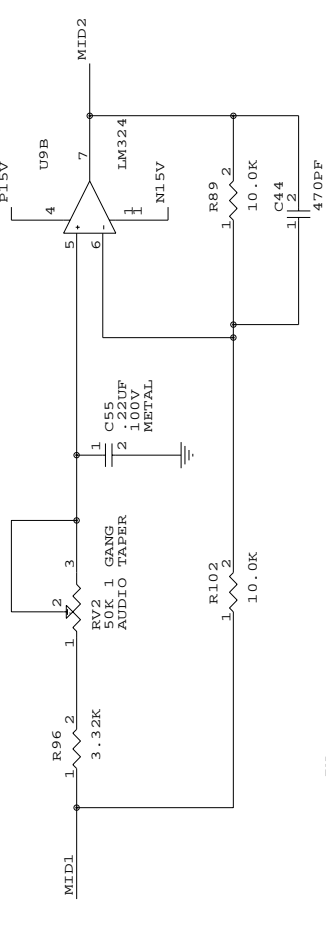
BPEQ FO=33HZ Q=2 D=0.5 A=6



HPF2 FO=23HZ Q=2.8
0621/HPF2 FO=27HZ Q=1 D=1



PHASE ADJUST

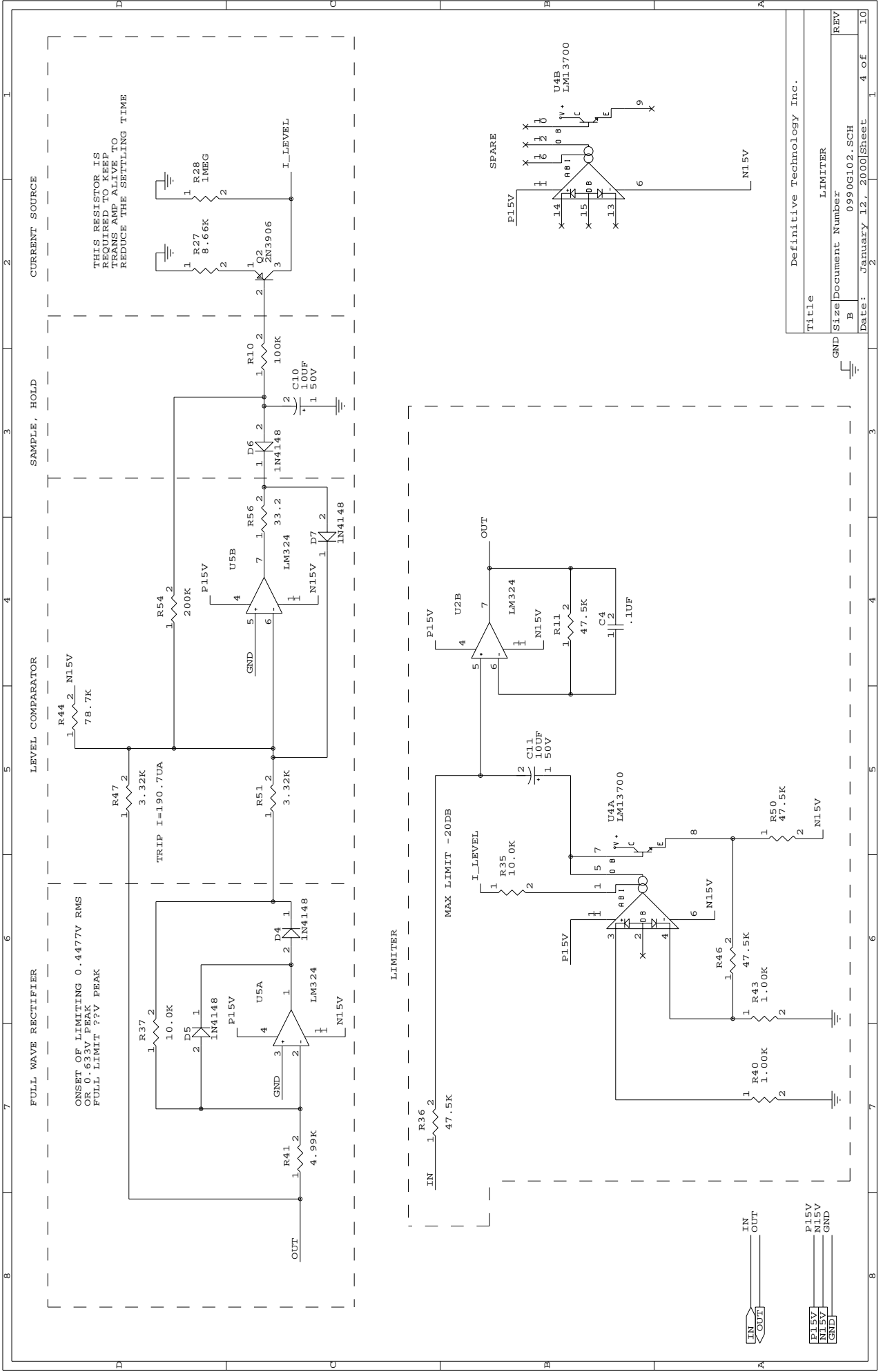


Title
WOOFER EQ 80 OZ MAGNET

Size Document Number
B 0990E102.SCH

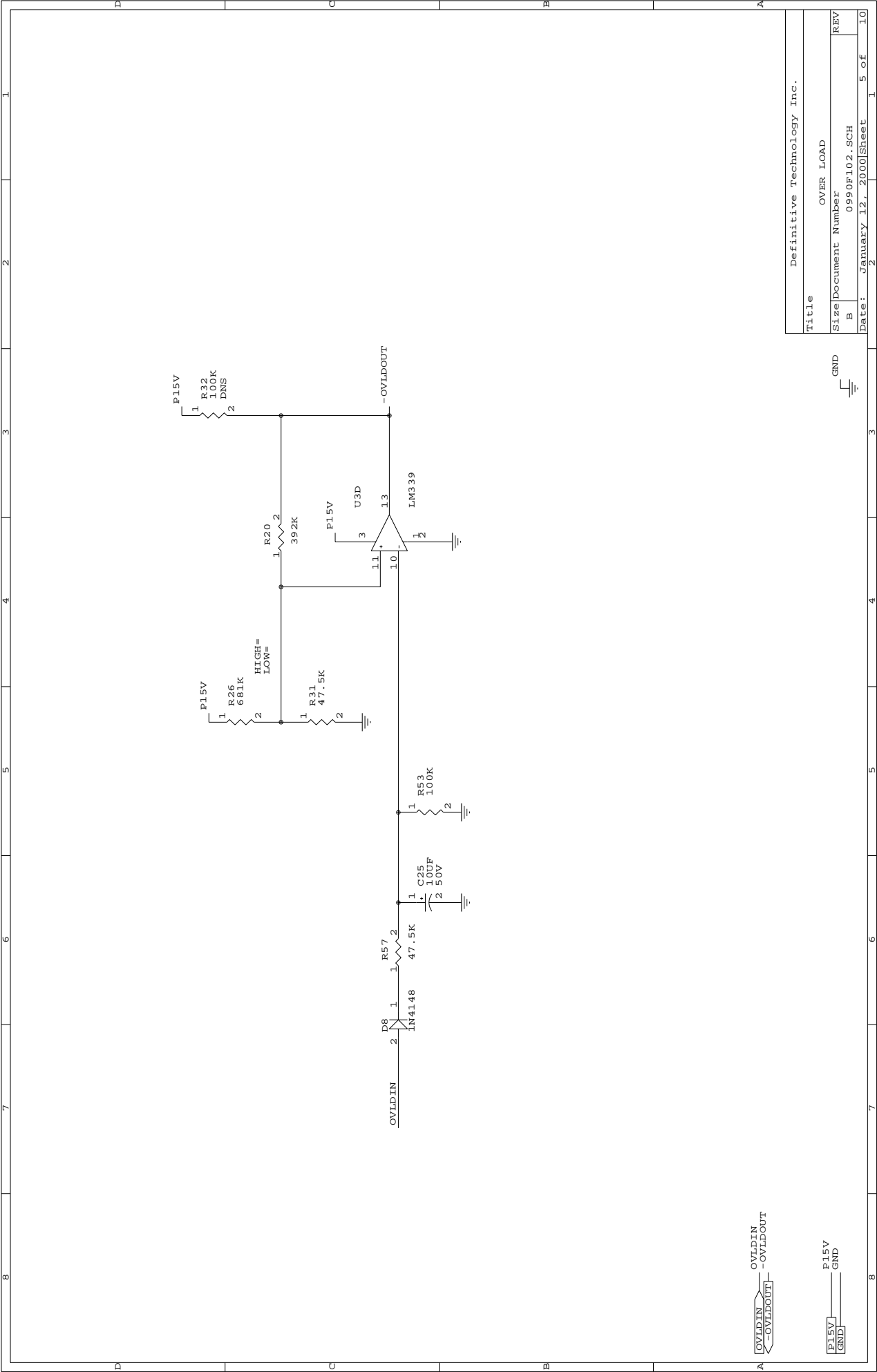
Date: January 12, 2000 Sheet 3 of 10

Definitive Technology Inc.



Title		Definitive Technology Inc.
Document Number		LIMITER
Revision	B	0990G102.SCH
Date	January 12, 2000	Sheet 4 of 10

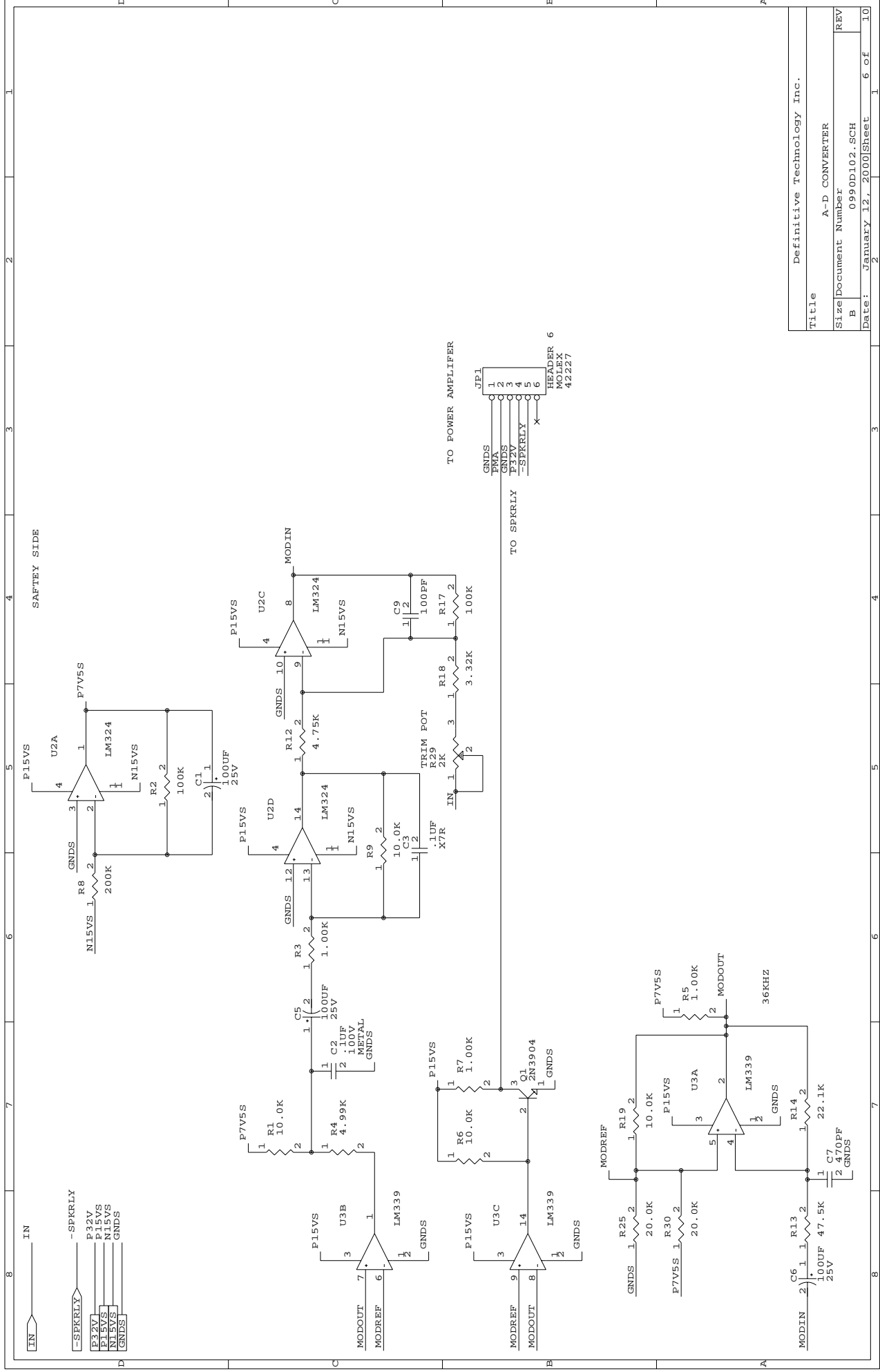




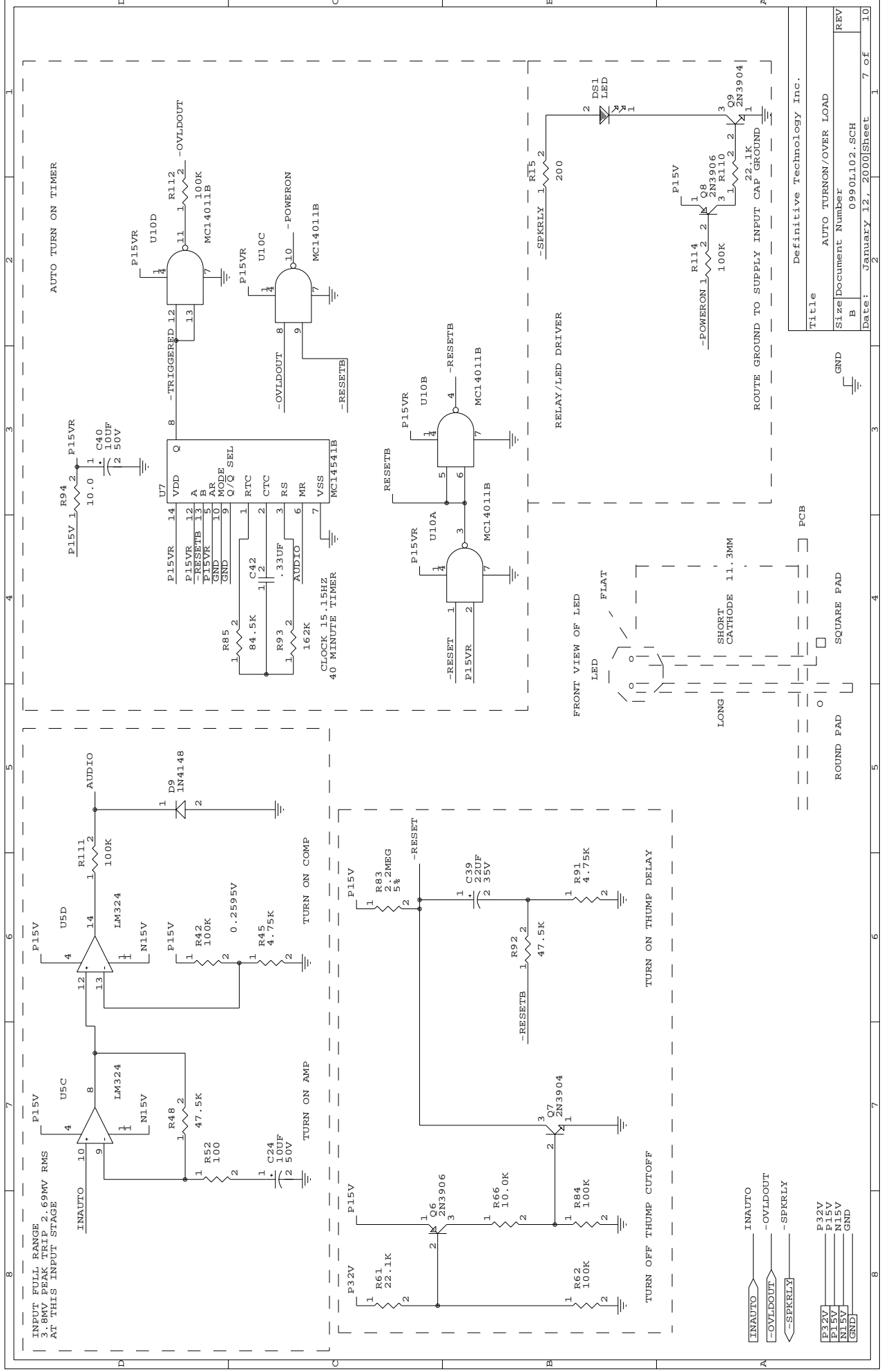
Title		OVER LOAD
Size		Document Number
B		0990F102.SCH
Date:		January 12, 2000
Sheet		5 of 10

OVLDIN -OVLDOUT

P15V GND



Title		Definitive Technology Inc.
Size		A-D CONVERTER
Document Number		0990D102.SCH
REV	B	REV
Date:	January 12, 2000	Sheet 6 of 10



INPUT FULL RANGE
3.8MV PEAK TRIP
AT THIS INPUT STAGE

AUTO TURN ON TIMER

TURN ON COMP

TURN ON AMP

40 MINUTE TIMER

RELAY/LED DRIVER

FRONT VIEW OF LED

TURN ON THUMP DELAY

TURN OFF THUMP CUTOFF

INAUTO INAUTO
 -OVLDOUT -OVLDOUT
 -SPKRLY -SPKRLY

P32V P32V
 P15V P15V
 N15V N15V
 GND GND
 (SRP) (SRP)

LONG LONG
 SHORT CATHODE SHORT CATHODE
 11.3MM 11.3MM

ROUND PAD ROUND PAD
 SQUARE PAD SQUARE PAD
 PCB PCB

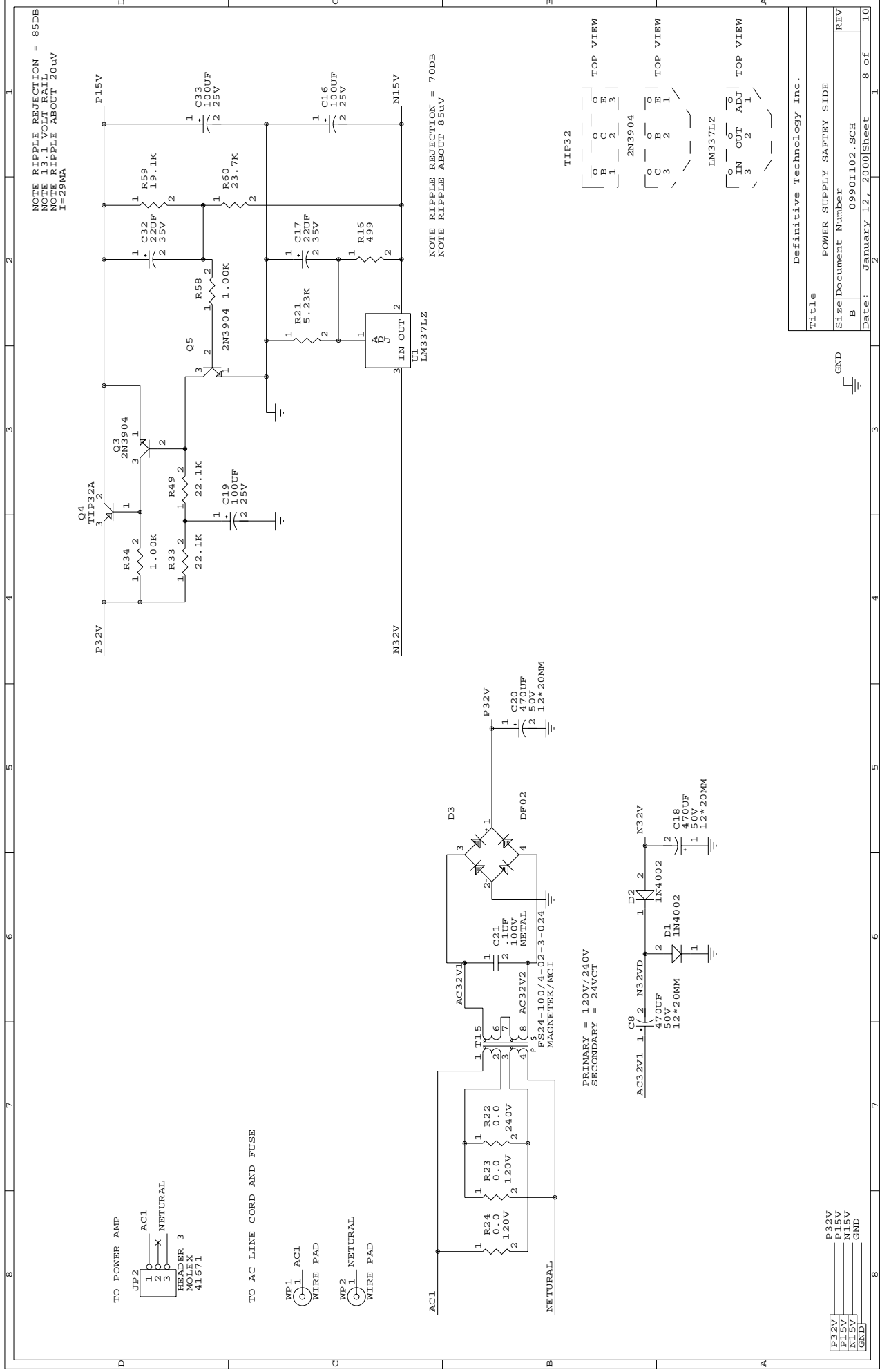
Title Definitive Technology Inc.

Size Document Number B
 Size Document Number 0990L102.SCH
 REV

Date: January 12, 2000 Sheet 7 of 10

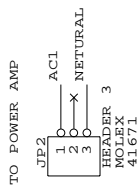
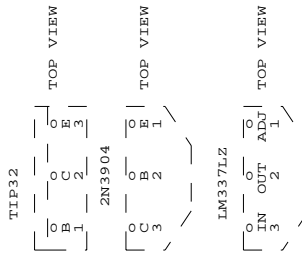
Title AUTO TURNON/OVER LOAD
 Size Document Number B
 Size Document Number 0990L102.SCH
 REV

Date: January 12, 2000 Sheet 7 of 10

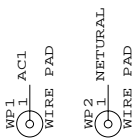


NOTE RIPPLE REJECTION = 85DB
 NOTE 13.1 VOLT RAIL
 NOTE RIPPLE ABOUT 20uV
 I=29MA

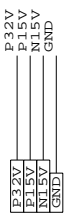
NOTE RIPPLE REJECTION = 70DB
 NOTE RIPPLE ABOUT 85uV



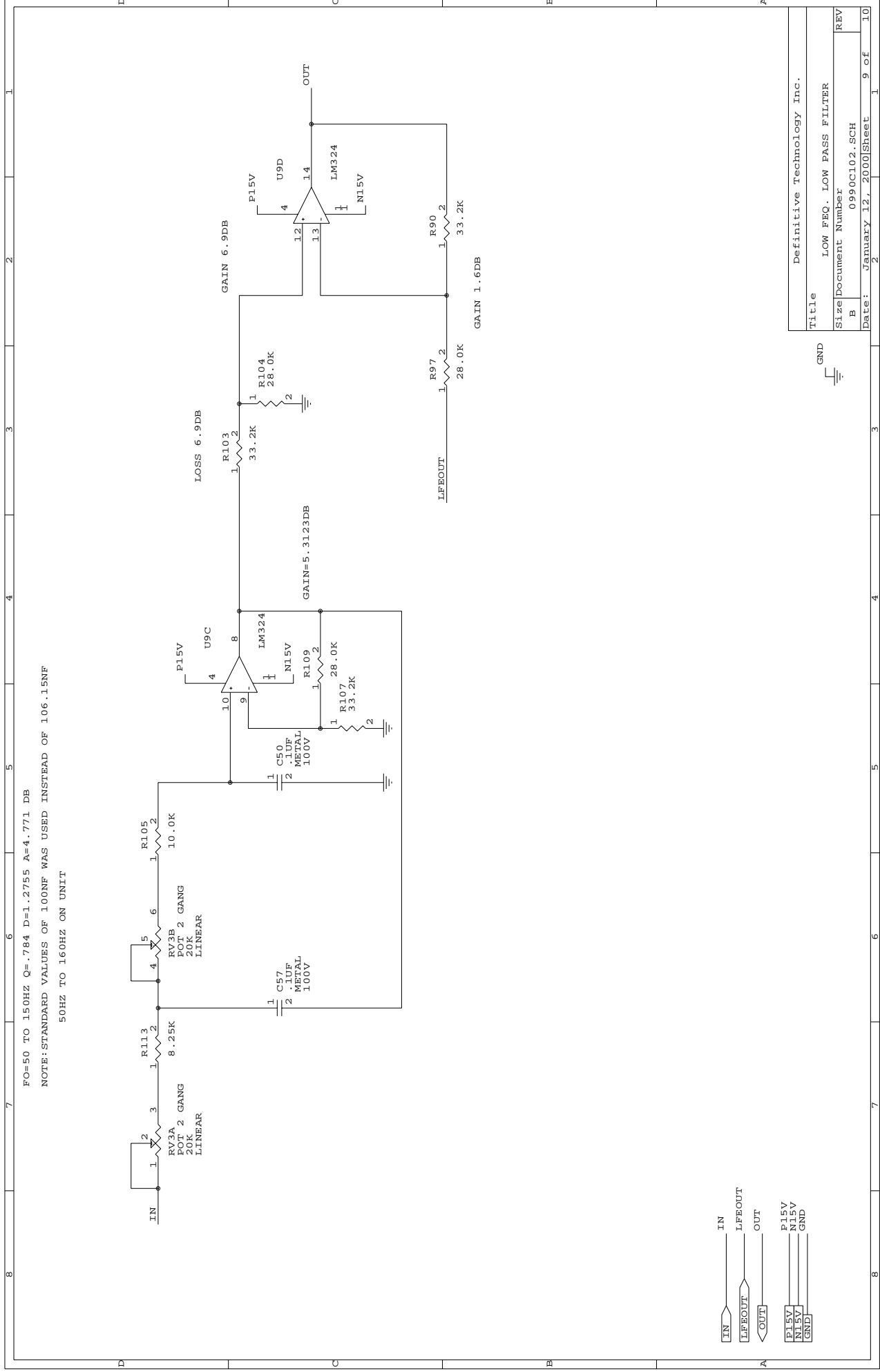
TO AC LINE CORD AND FUSE



PRIMARY = 120V/240V
 SECONDARY = 24VCT



Title		Definitive Technology Inc.	
Size		POWER SUPPLY SAFTEY SIDE	
Document Number		09901102.SCH	
Date		January 12, 2000	
Sheet		8 of 10	

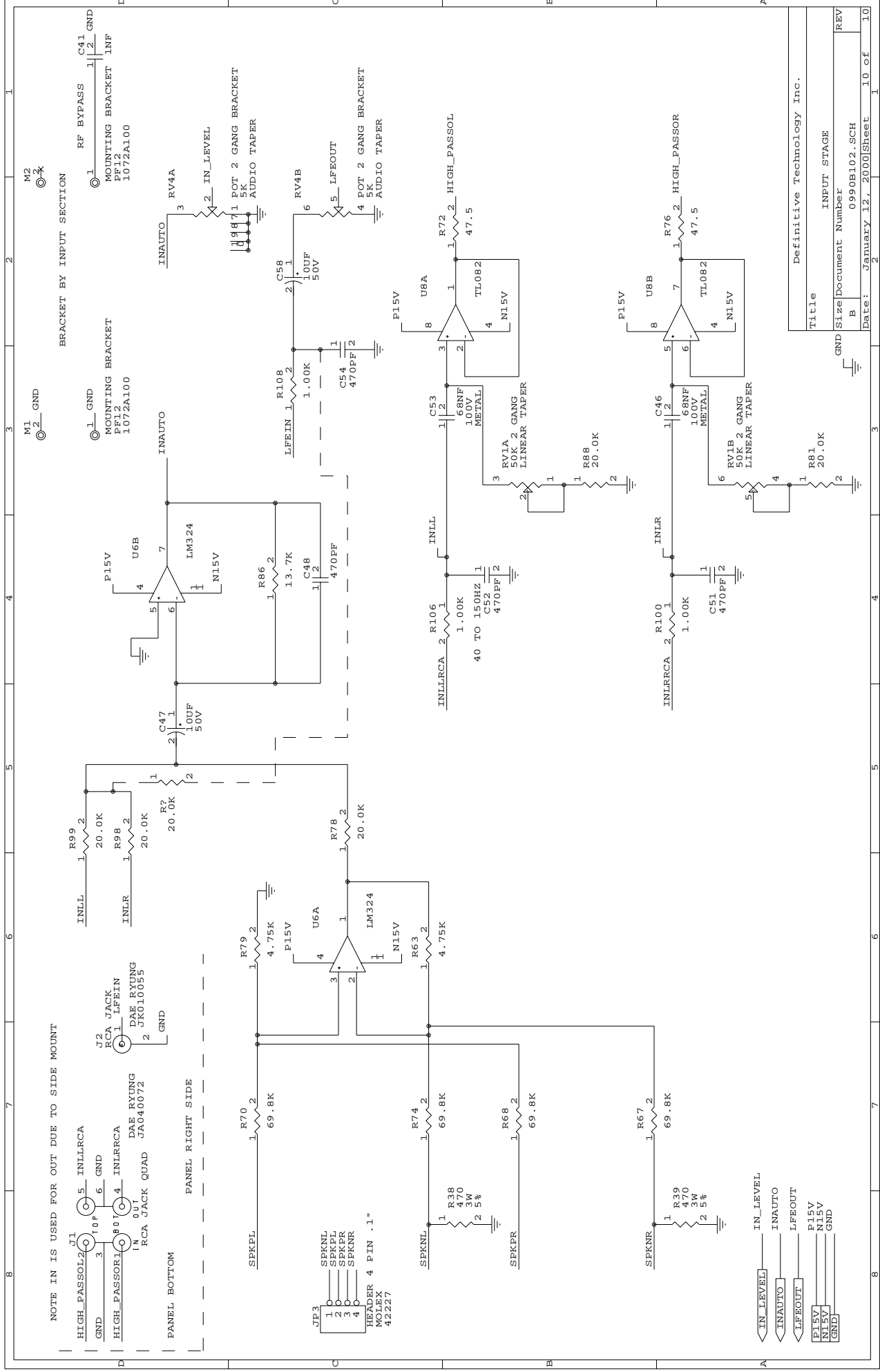


FO=50 TO 150HZ Q=.784 D=1.2755 A=4.771 DB
 NOTE: STANDARD VALUES OF 100NF WAS USED INSTEAD OF 106.15NF
 50HZ TO 160HZ ON UNIT

- IN
- LFEOUT
- OUT
- P15V
- N15V
- GND

Title		Definitive Technology Inc.
Size		B
Document Number		0990C102.SCH
Date:	January 12, 2000	Sheet 9 of 10





NOTE IN IS USED FOR OUT DUE TO SIDE MOUNT

J1 HIGH_PASSOR2
 GND 3 10P
 HIGH_PASSOR1 4 10P
 RCA JACK QUAD JA040072

J2 RCA JACK
 1 LFEIN
 2 DAE RYUNG JK010055

PANEL BOTTOM
 SPKPL 1 R70 69.8K 2
 SPKPR 1 R74 69.8K 2
 SPKNR 1 R67 69.8K 2

PANEL RIGHT SIDE
 INLL 1 R99 20.0K 2
 INLR 1 R98 20.0K 2
 INLRCA 1 R106 1.00K 2
 INLLRCA 2 R106 1.00K 1
 INLR 1 R81 20.0K 2

JF3
 1 SEKNL
 2 SEKRL
 3 SEKPR
 4 SEKNR
 HEADER 4 PIN .1"
 MO25X
 42227

IN_LEVEL
 INAUTO
 LFEOUT
 P15V
 N15V
 GND

Title		Definitive Technology Inc.	
B	Document Number	0990B102.SCH	
Date:		January 12, 2000	Sheet 10 of 10

INPUT STAGE
 REV