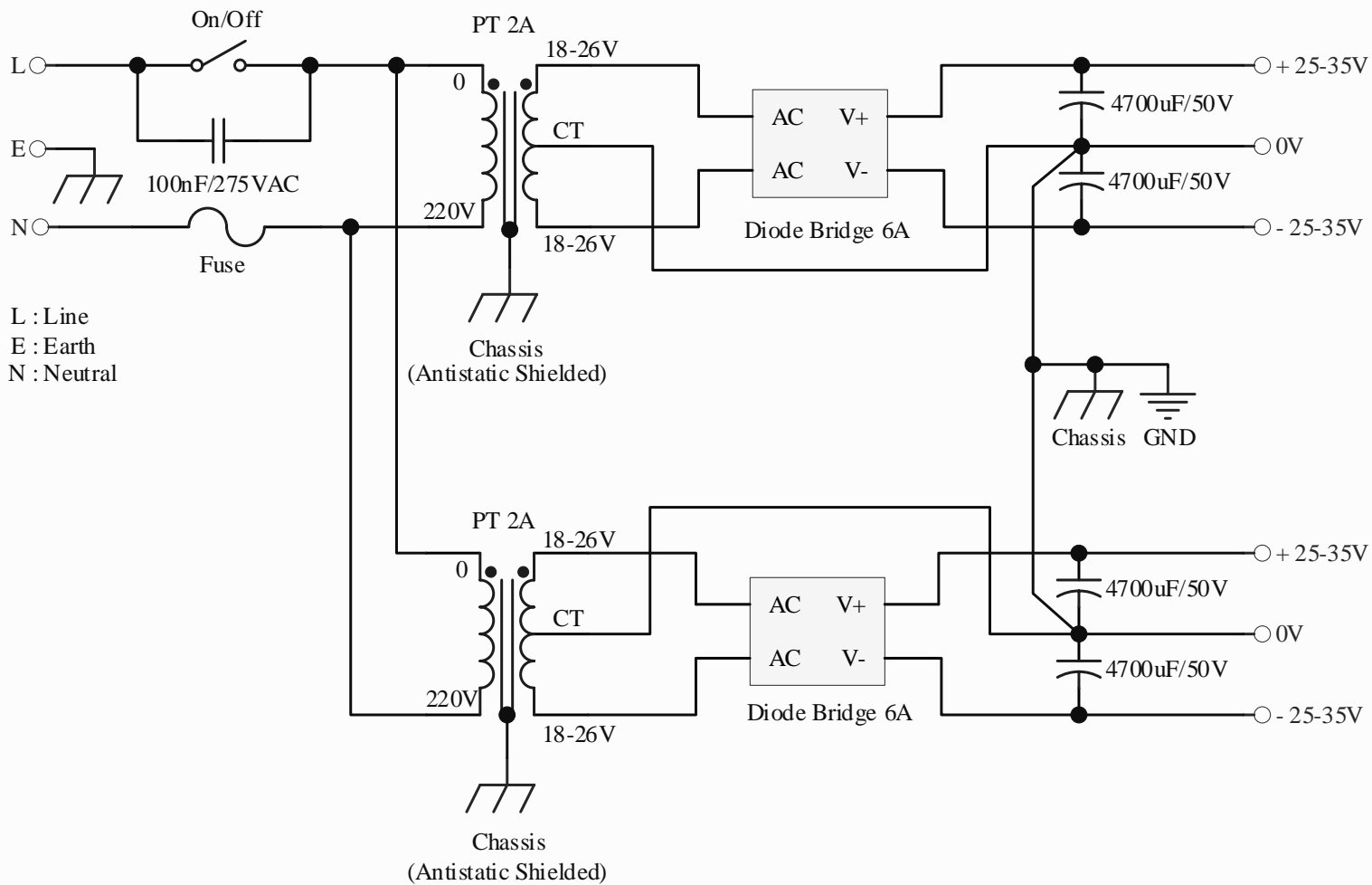


Title		
2x50W LM3886 ChipAmp - Complete Circuit		
Size	Number	Revision
A	2	16/02/2008
Date:	2/16/2008	Sheet of
File:	D:\LM 3886\..LM3886 Amp Complete Circuit.SCH	1 of 1
www.langsungjadi.com		



Title		
2x50W LM3886 ChipAmp - PSU Circuit		
Size	Number	Revision
A	3	16/02/2008
Date:	2/16/2008	Sheet of
File:	D:\LM 3886\..LM3886 Amp - PSU Circuit.DSN	1 of 1 www.langsungjadi.com