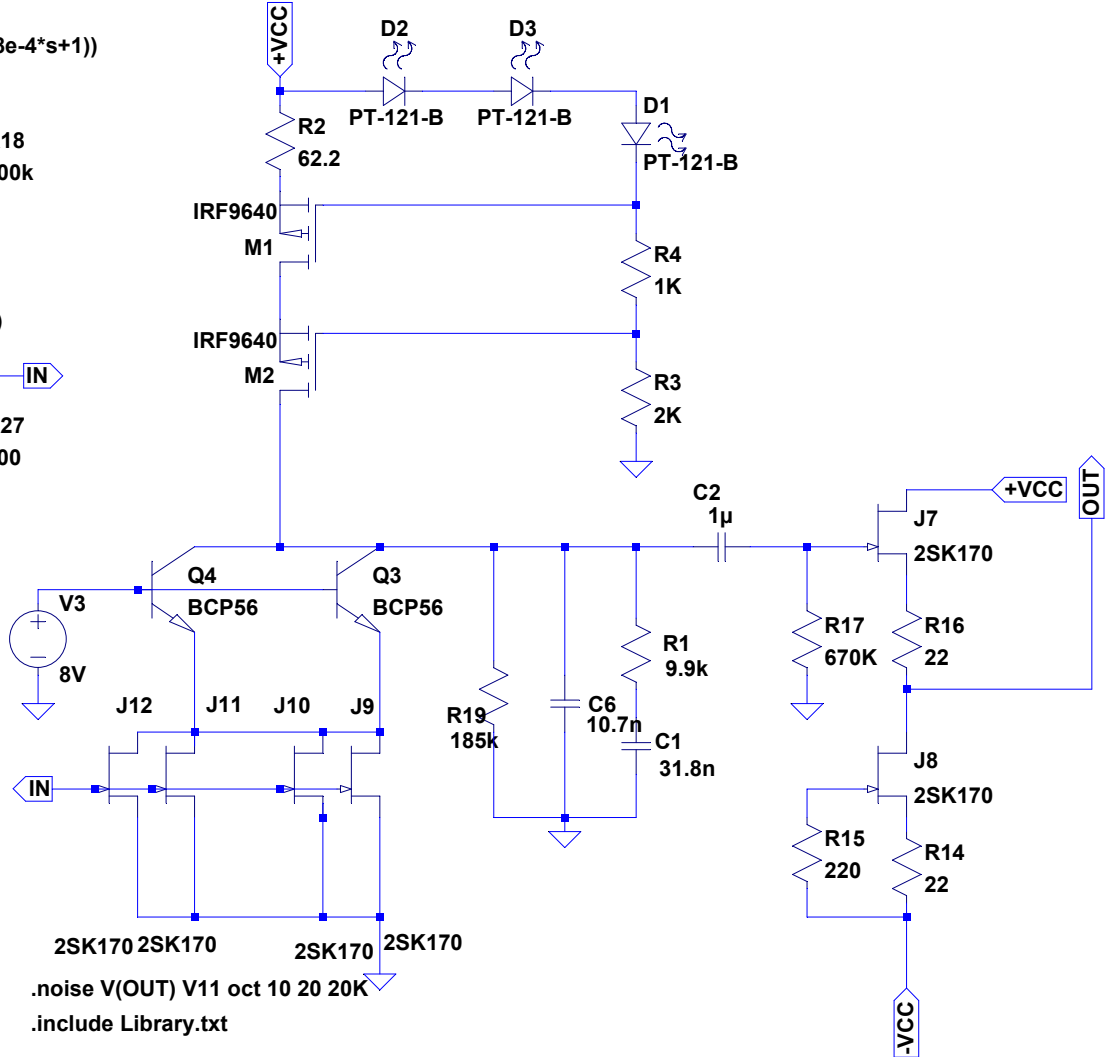
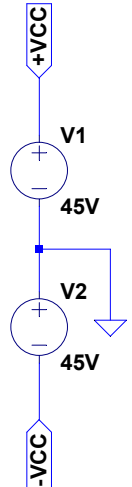
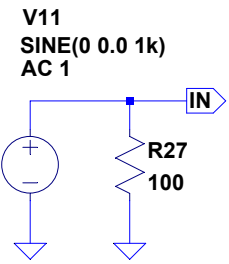
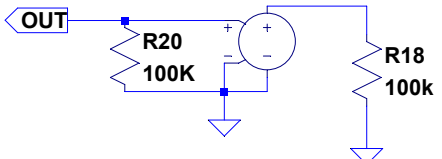


laplace ((75e-6\*s+1)\*(3.180e-3\*s+1))/((3.18e-4\*s+1))  
E2



.noise V(OUT) V11 oct 10 20 20K  
.include Library.txt