

Metallized Polycarbonate Film Capacitor

Related Document: IEC 60 384-6

MAIN APPLICATIONS:

Storage, filter, timing and integrating circuits.

MARKING:

Manufacturer's logo/type/C-value/rated voltage/tolerance/date of manufacture

DIELECTRIC:

Polycarbonate film

ELECTRODES:

Vacuum deposited aluminum

COATING:

Flame retardant plastic case (UL-class 94 V-0), red, epoxy resin sealed

CONSTRUCTION:

Extended metallized film (refer to general information)

LEADS:

Tinned wire

IEC TEST CLASSIFICATION:

55/100/56, according to IEC 60068

OPERATING TEMPERATURE RANGE:

- 55°C to + 100°C

CAPACITANCE RANGE:

0.01µF to 10µF

CAPACITANCE TOLERANCES:

± 20% (M), ± 10% (K), ± 5% (J)

RATED VOLTAGES (U_R):

63 VDC, 100 VDC, 250 VDC, 400 VDC

PERMISSIBLE AC VOLTAGES (RMS) UP TO 60Hz:

40 VAC, 63 VAC, 160 VAC, 200 VAC

TEST VOLTAGE (ELECTRODE/ELECTRODE):

 1.6 x U_R for 2 s

INSULATION RESISTANCE:

Measured at 100 VDC (63 VDC series measured at 50 VDC) after one minute

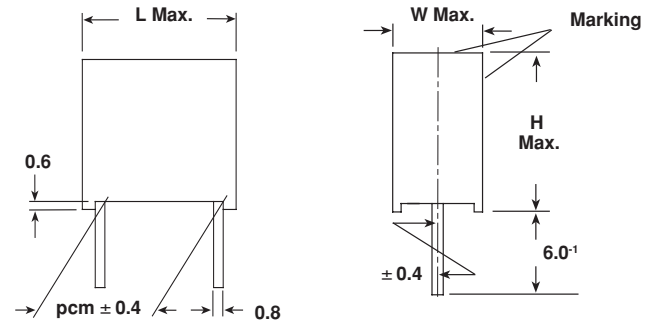
For $C \leq 0.33\mu\text{F}$ and $U_R > 100$ VDC:

30,000 MΩ minimum value (100,000 MΩ typical value)

For $C \leq 0.33\mu\text{F}$ and $U_R \leq 100$ VDC:

15,000 MΩ minimum value (50,000 MΩ typical value)

Dimensions in mm


TIME CONSTANT:

Measured at 100 VDC (63 VDC series measured at 50 VDC) after one minute

For $C > 0.33\mu\text{F}$ and $U_R > 100$ VDC:

10,000 s minimum value (40,000 s typical value)

For $C > 0.33\mu\text{F}$ and $U_R \leq 100$ VDC:

5000 s minimum value (15,000 s typical value)

CAPACITANCE DRIFT:

Up to + 40°C, ± 1% for a period of two years

DERATING FOR DC AND AC. CATEGORY VOLTAGE U_C :

 At + 85°C: $U_C = 1.0 U_R$

 At + 100°C: $U_C = 0.8 U_R$
SELF INDUCTANCE:

~ 6 nH measured with 2mm long leads

PULL TEST ON LEADS:

≥ 30 N in direction of leads according to IEC 60068-2-21

BEND TEST ON LEADS:

2 bends through 90° with half of the force used in pull test

RELIABILITY:

Operational life > 300,000 h

 Failure rate < 1 FIT (40°C and 0.5 x U_R)

For further details, please refer to the general information provided in this catalog.

MAXIMUM PULSE RISE TIME

PCM (mm)	Maximum pulse rise time d_v/d_t [V/µs]			
	63 VDC	100 VDC	250 VDC	400 VDC
10	17	23	38	61
15	9	13	21	33
22.5	6	8	13	20
27.5	5	6	10	16

 If the maximum pulse voltage is less than the rated voltage higher d_v/d_t values can be permitted.

Please note: these capacitors are not recommended for new designs

DISSIPATION FACTOR TAN δ

MEASURED AT	C ≤ 0.1μF	0.1μF < C ≤ 1.0μF	C > 1.0μF
1kHz	3 x 10 ⁻³	3 x 10 ⁻³	3 x 10 ⁻³
10kHz	4 x 10 ⁻³	4 x 10 ⁻³	—
100kHz	10 x 10 ⁻³	—	—
Maximum values			

CAPACITANCE	CAPACITANCE CODE	VOLTAGE CODE 06 63 VDC/ 40 VAC				VOLTAGE CODE 01 100 VDC/ 63 VAC				VOLTAGE CODE 25 250 VDC/ 160 VAC				VOLTAGE CODE 40 400 VDC/ 200 VAC			
		W	H	L	PCM	W	H	L	PCM	W	H	L	PCM	W	H	L	PCM
0.01 μF	- 310	—	—	—	—	—	—	—	—	—	—	—	—	4.0	9.0	13.0	10
0.015 μF	- 315	—	—	—	—	—	—	—	—	—	—	—	—	4.0	9.0	13.0	10
0.022 μF	- 322	—	—	—	—	—	—	—	—	4.0	9.0	13.0	10	4.0	9.0	13.0	10
0.033 μF	- 333	—	—	—	—	—	—	—	—	4.0	9.0	13.0	10	5.5	10.5	13.0	10
0.047 μF	- 347	—	—	—	—	—	—	—	—	4.0	9.0	13.0	10	5.5	10.5	18.0	15
0.068 μF	- 368	—	—	—	—	4.0	9.0	13.0	10	5.5	10.5	13.0	10	5.5	10.5	18.0	15
0.1 μF	- 410	—	—	—	—	4.0	9.0	13.0	10	5.5	10.5	18.0	15	6.5	12.5	18.0	15
0.15 μF	- 415	—	—	—	—	5.5	10.5	13.0	10	5.5	10.5	18.0	15	8.5	14.5	18.0	15
0.22 μF	- 422	4.0	9.0	13.0	10	6.5	11.5	13.0	10	6.5	12.5	18.0	15	7.5	15.5	26.5	22.5
0.33 μF	- 433	4.5	9.5	13.0	10	5.5	10.5	18.0	15	7.5	13.5	18.0	15	8.5	16.5	26.5	22.5
0.47 μF	- 447	5.5	10.5	13.0	10	6.5	12.5	18.0	15	7.5	15.5	26.5	22.5	10.5	18.5	26.5	22.5
0.68 μF	- 468	5.5	10.5	18.0	15	7.5	13.5	18.0	15	8.5	16.5	26.5	22.5	11.5	20.5	31.5	27.5
1.0 μF	- 510	6.5	12.5	18.0	15	8.5	14.5	18.0	15	8.5	16.5	26.5	22.5	13.5	23.5	31.5	27.5
1.5 μF	- 515	7.5	13.5	18.0	15	7.5	15.5	26.5	22.5	11.5	20.5	31.5	27.5	—	—	—	—
2.2 μF	- 522	8.5	14.5	18.0	15	8.5	16.5	26.5	22.5	11.5	20.5	31.5	27.5	—	—	—	—
3.3 μF	- 533	7.5	15.5	26.5	22.5	10.5	18.5	26.5	22.5	13.5	23.5	31.5	27.5	—	—	—	—
4.7 μF	- 547	8.5	16.5	26.5	22.5	11.5	20.5	31.5	27.5	16.5	29.5	31.5	27.5	—	—	—	—
6.8 μF	- 568	10.5	18.5	26.5	22.5	13.5	23.5	31.5	27.5	—	—	—	—	—	—	—	—
10.0 μF	- 610	11.5	20.5	31.5	27.5	15.0	24.5	31.5	27.5	—	—	—	—	—	—	—	—

Further C-values upon request

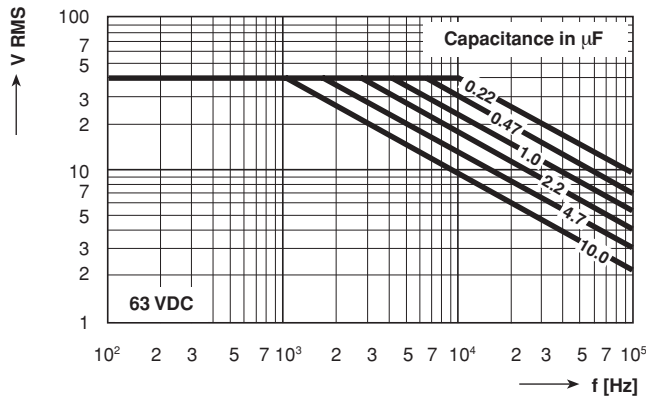
RECOMMENDED PACKAGING

LETTER CODE	TYPE OF PACKAGING	HEIGHT (H) (mm)	REEL DIAMETER (mm)	ORDERING CODE EXAMPLES	PCM 10	PCM 15	PCM 22.5 - 27.5
D	AMMO	16.5	S*	MKC 1862-310/405-D	X	X	—
G	AMMO	18.5	S*	MKC 1862-310/405-G	X	X	—
F	REEL	16.5	350	MKC 1862-310/405-F	X	X	—
W	REEL	18.5	350	MKC 1862-310/405-W	X	X	—
V	REEL	18.5	500	MKC 1862-522/255-V	—	X	X
G	AMMO	18.5	L*	MKC 1862-522/255-G	—	—	X
—	BULK	—	—	MKC 1862-522/255	X	X	X

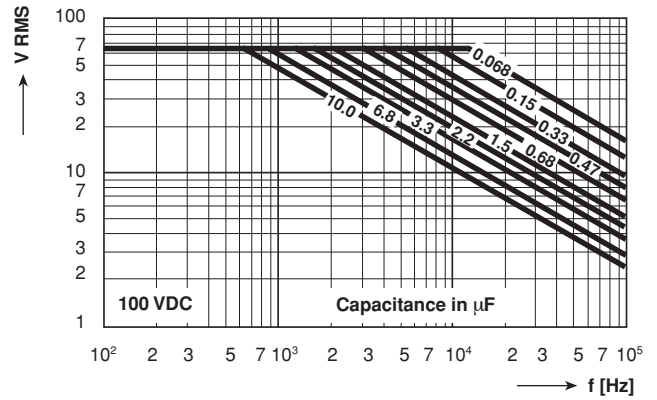
*S - box size 55 x 210 x 340mm (W x H x L)

*L - box size 60 x 360 x 510mm (W x H x L)

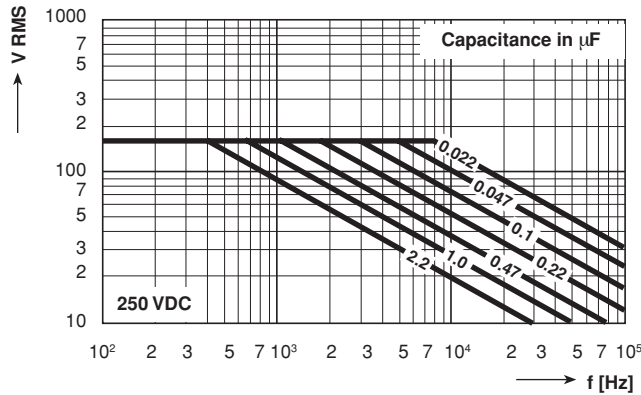
Please note: these capacitors are not recommended for new designs



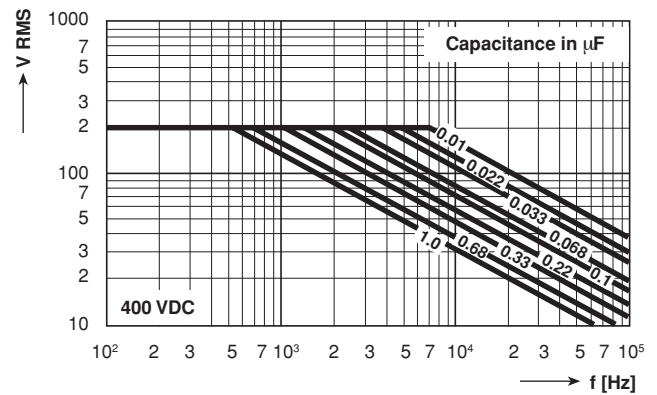
Permissible AC Voltage versus Frequency



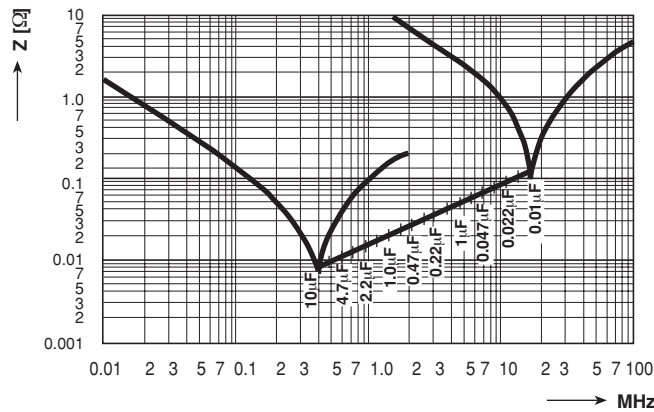
Permissible AC Voltage versus Frequency



Permissible AC Voltage versus Frequency



Permissible AC Voltage versus Frequency


 Impedance versus Frequency $Z = f(f)$ (Lead length 2.0mm)

Please note: these capacitors are not recommended for new designs