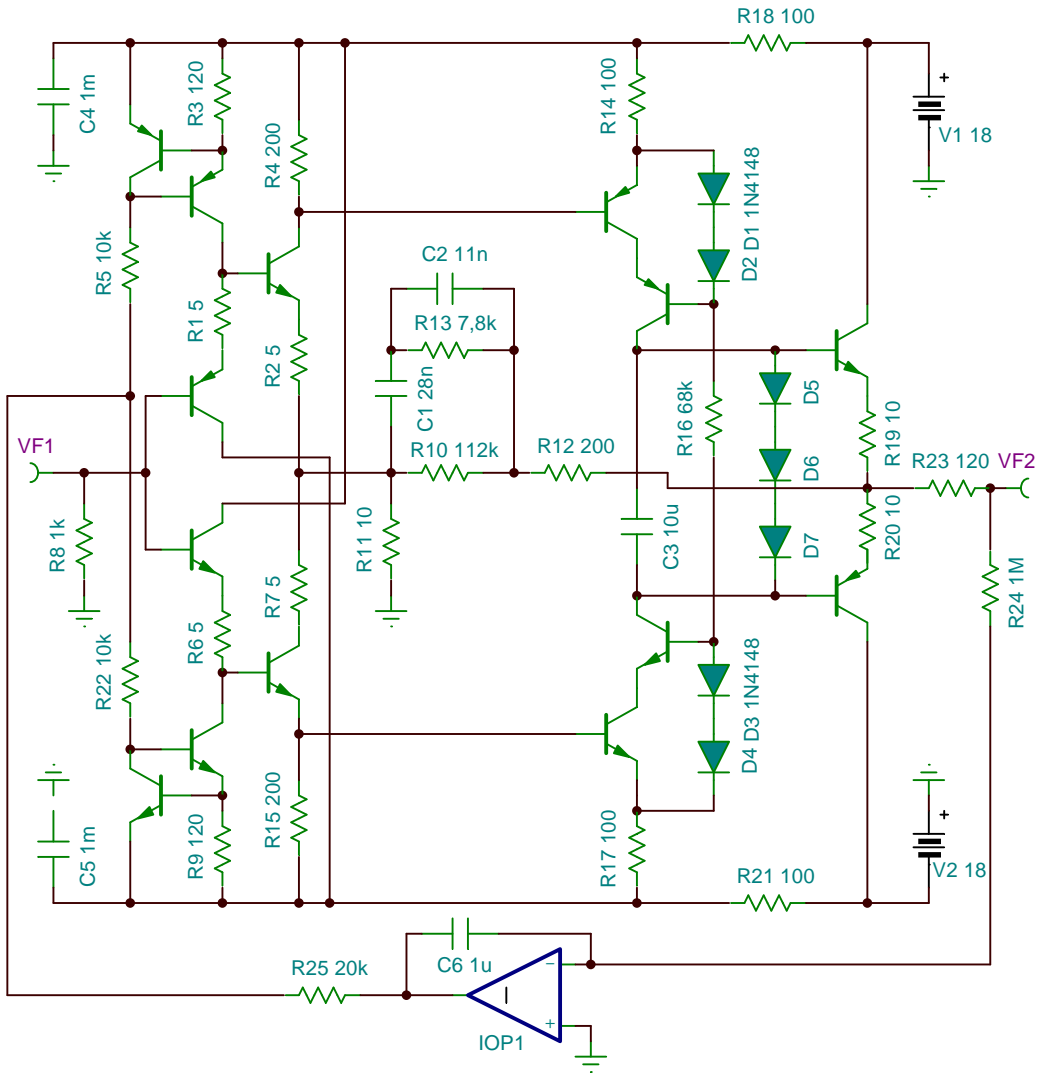


T9 INPN



T8 !PNP  
T1 !PNP  
T13 !NPN  
T14 !NPN  
T6 !NPN  
T7 !NPN  
T2 !NPN  
T3 !PNP  
T10 !PNP  
T5 !NPN