

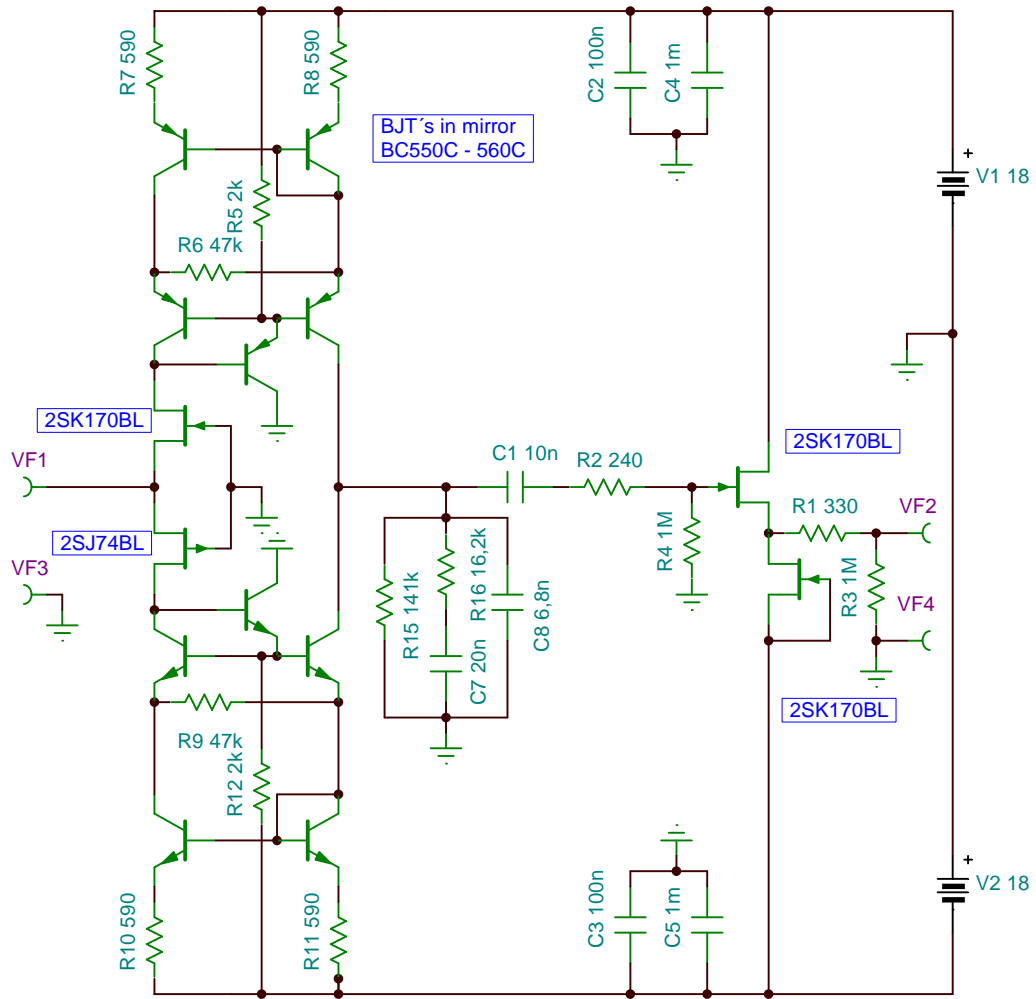
T10 !PNP

T3 2N3369

T7 !PNP

T12 !NPN

T15 !NPN



T11 !PNP
T5 !PNP
T3 !PNP
T1 2N2608

T19 2N3369
T8 !PNP
T4 !PNP