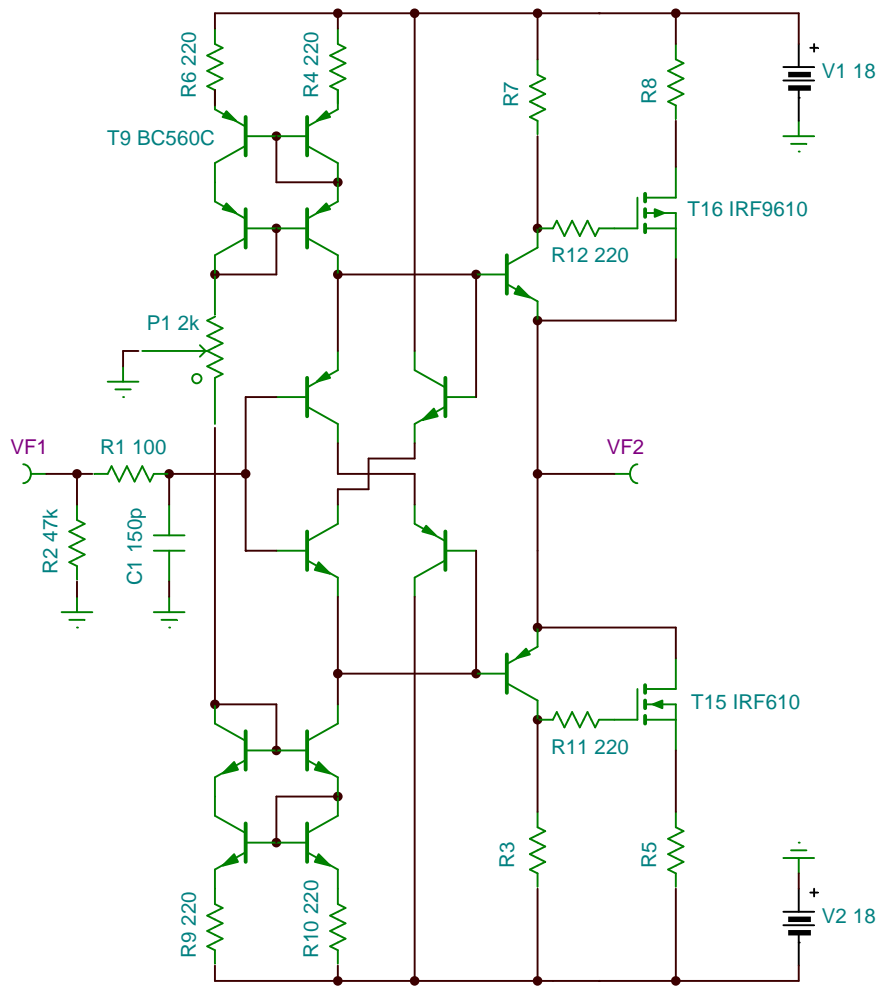


T2 !PNP

T13 !NPN



T10
T11
T12