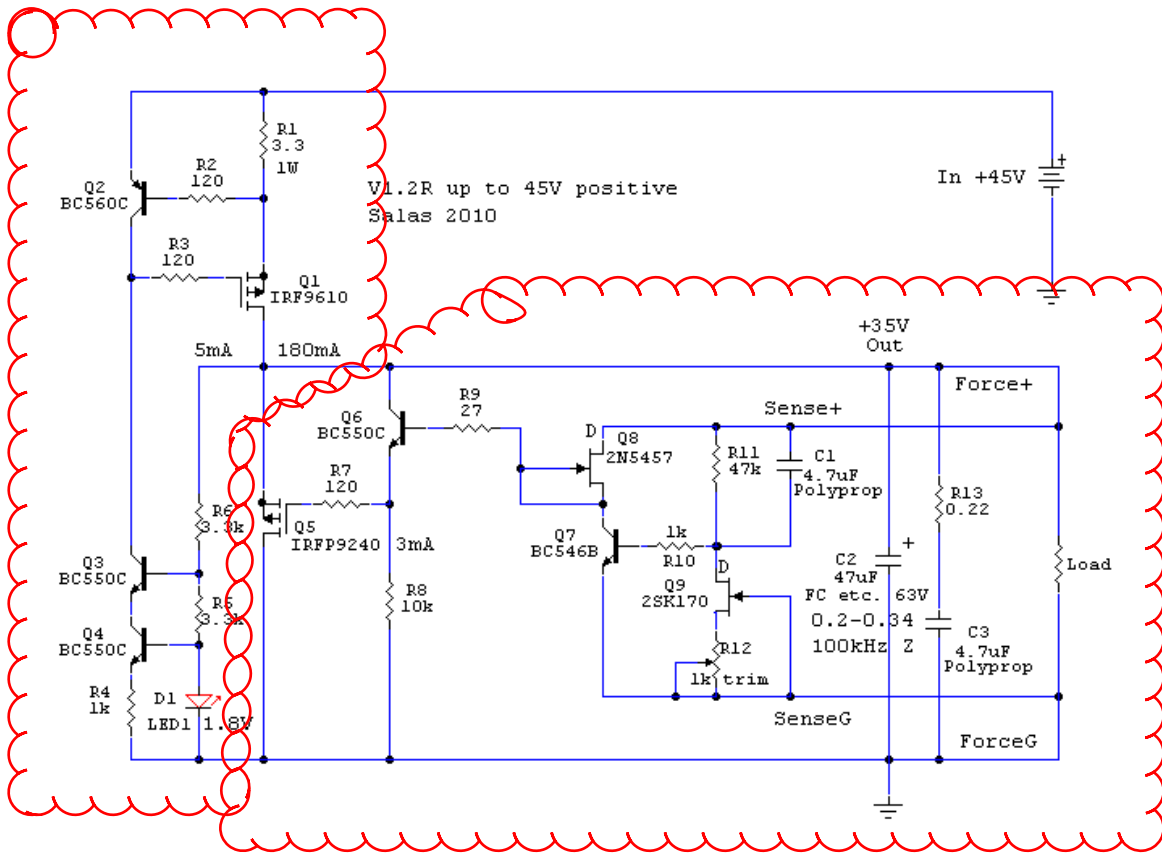


common CCS set for 300 mA



shunt + error amp x 3 according to the RIAA stages
each group separated by a low ohm R (i.e. 3.3 - 4.7 ohm)