

Changes :

- C5 4700uF plus C13 2.2uF for less distortion
- R8, C14 : Neumann constant, switchable
- C12 : RFI Filter if problems with Radi Stations, Cell Phones etc.
- R7 : Load for MC Cartridge has to be chosen by listening
- OP1 : LME49990 for less distortion and Noise

RIAA values redesigned :

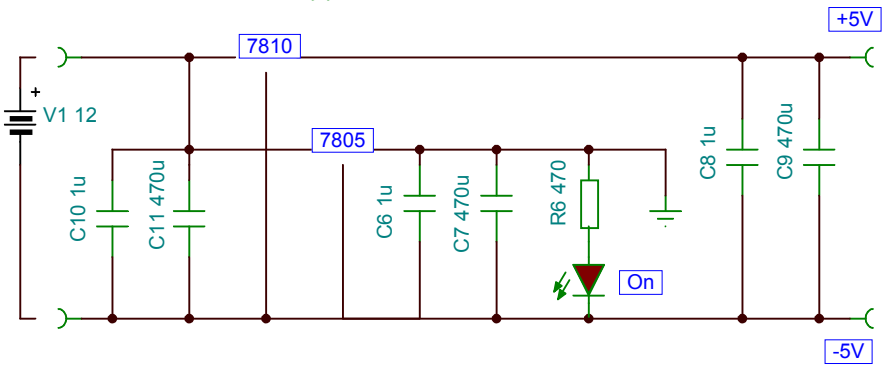
Old values give 75.2 usec (0.3% off), 291.8 usec (8% off),
3000 usec (5% off)

New values give 75.2 usec (0.3%), 306.6 usec (3.5%),
3200 usec (1%)

R10 loads the output if stage is not connected

R4, R9, C16 compensate for the pole of the series feedback RIAA

RIAA is now accurate over 20kHz



LED1 CQX35A

VF3

VF4

VF5

VF6

SW-SPST1