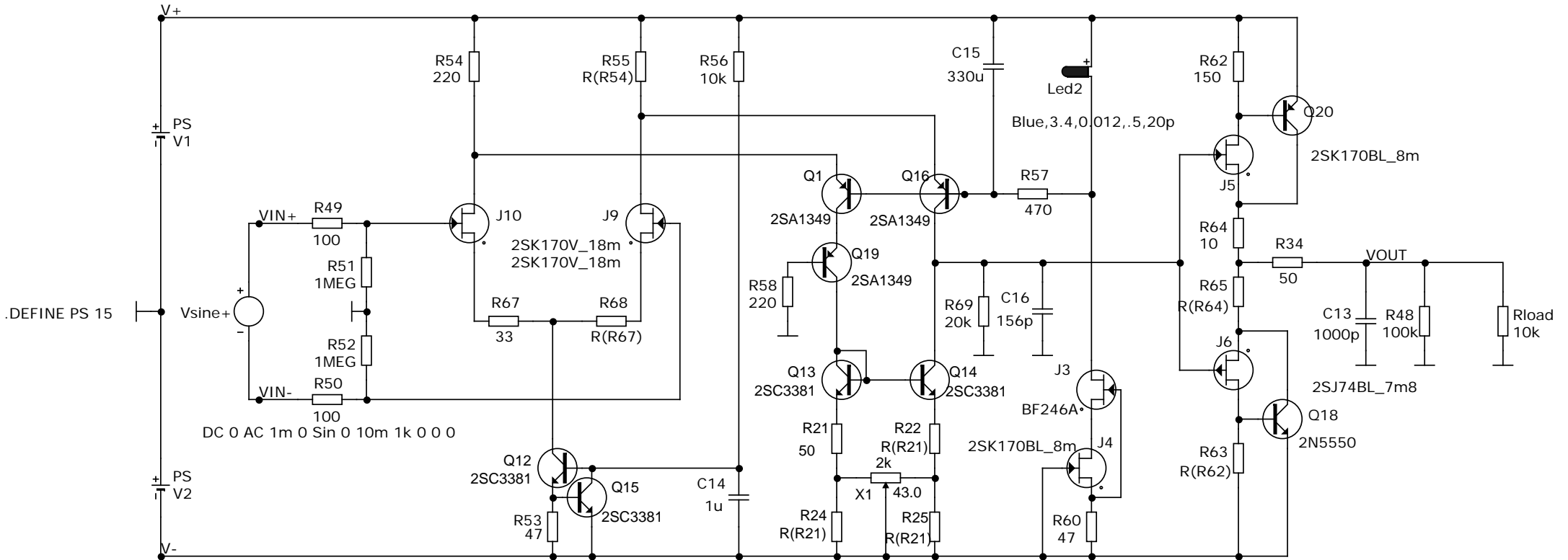
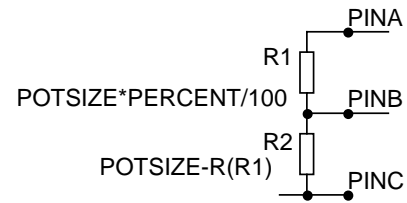


JG OPamp 2.21



POT MACRO

.PARAMETERS(POTSIZE=10K,PERCENT=50)



.HELP POTSIZE "Maximum resistance value"

.HELP PERCENT "Percent of Potsize between PINA and PINB"

When this macro is placed in a schematic, the two parameters will determine the initial pot setting. Percent is in % so 70% would be given as 70 and not .70.

To step this macro, go to stepping and choose to step MACROPARTNAME.R1 VALUE (ie; X1.R1 VALUE). The stepping will override the percent parameter. See POTDEMO.CIR for an example.