

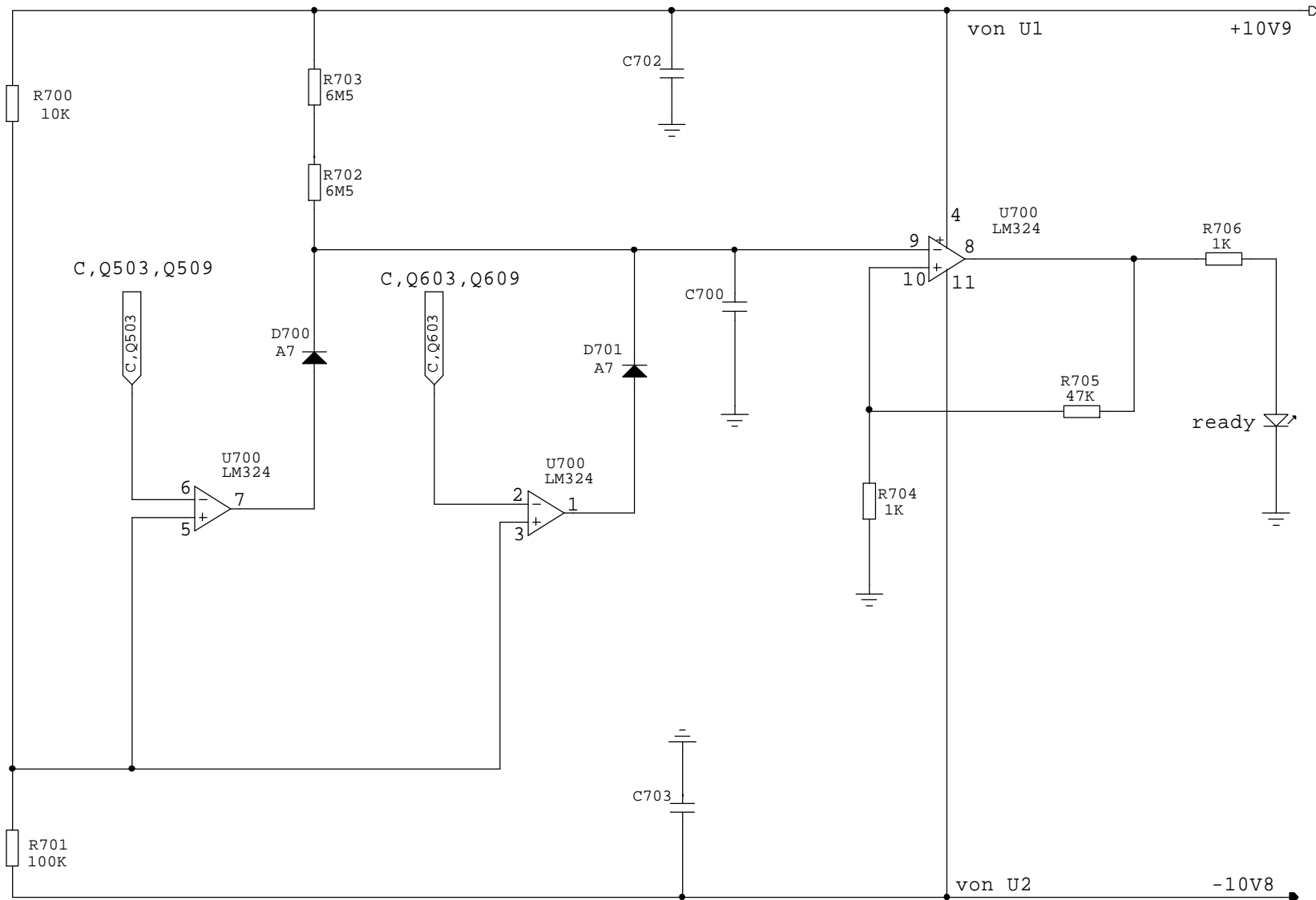
Linn Linto
input-Stage

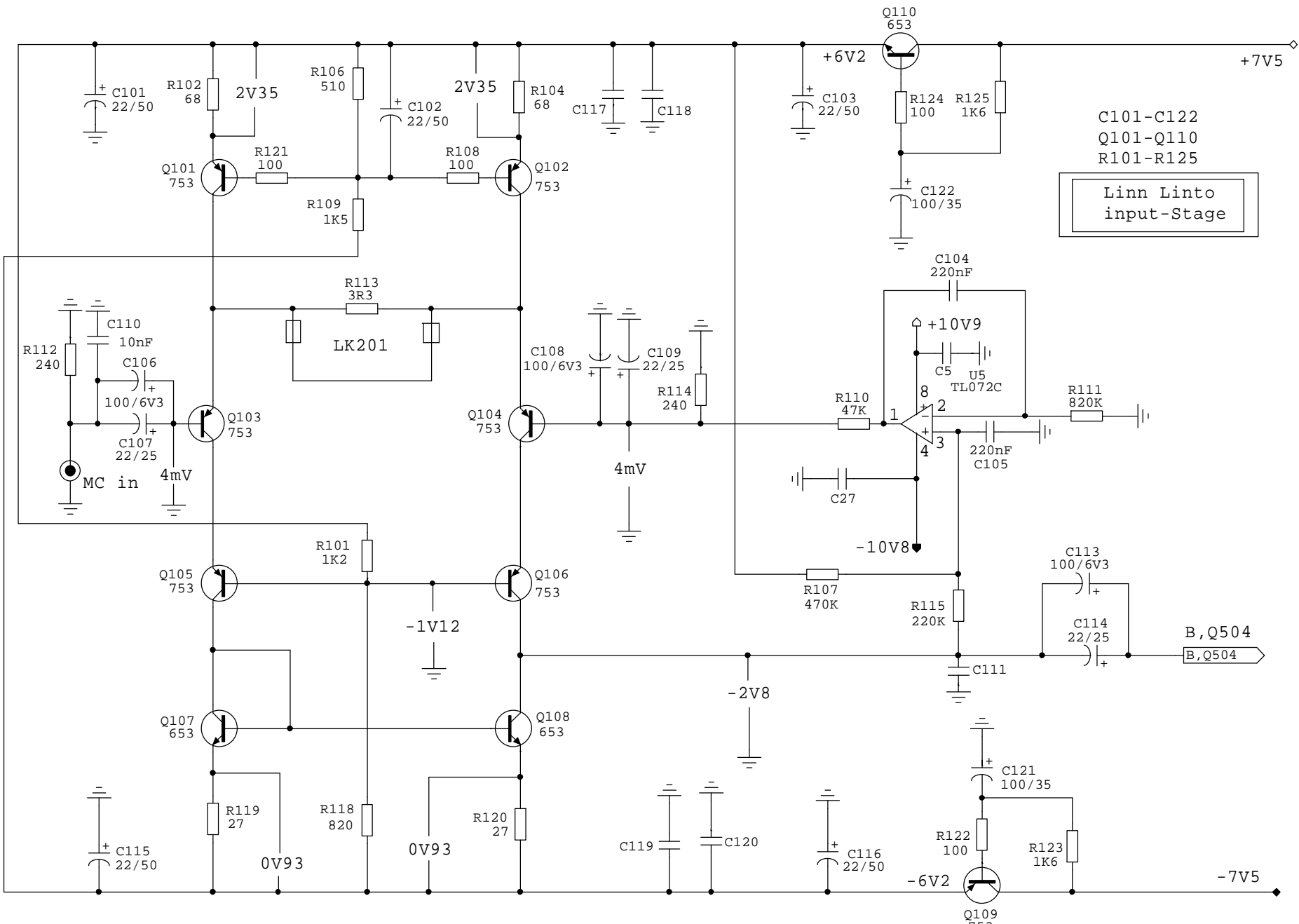
C201-C222
Q201-Q210
R201-R225

B, Q604
B, Q604

R700-R716
C700-C703

Linn Linto
switch-on delay





Linn Linto
SMD-Codes

A7 = BAV99W (www.semiconductors.philips.com/pip/BAV99W.html)
2G = FMMT-A56 (www.zetex.com)
4E = FMMT-A92 (www.zetex.com)
653 = FZT 653 (www.zetex.com)
753 = FZT 753 (www.zetex.com)