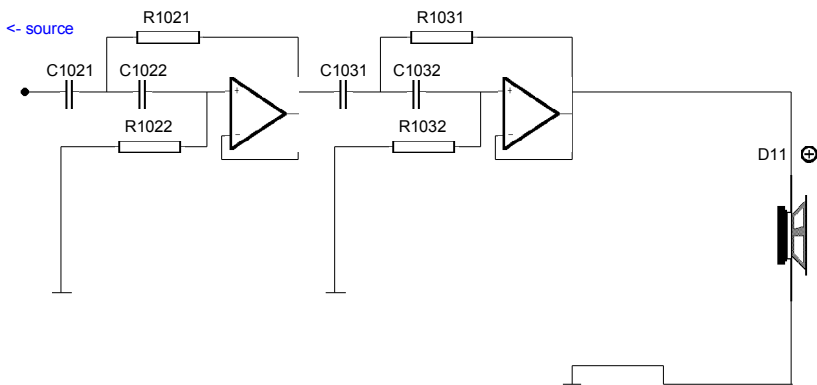


# Net 1

- R1021 39.00 kohm
- R1022 100.0 kohm
- C1021 200.0 nF
- C1022 200.0 nF
- R1031 68.0 kohm
- R1032 100.0 kohm
- C1031 200.0 nF
- C1032 200.0 nF



Rel amp. gain 0.0 dB  
 Driver unit 1 (D11)  
 SPL data file : Not in use  
 Impedance data file : Not in use  
 Position (x,y,z) 0.0,0.0,0.0 mm  
 Relative distance) 0.0 mm