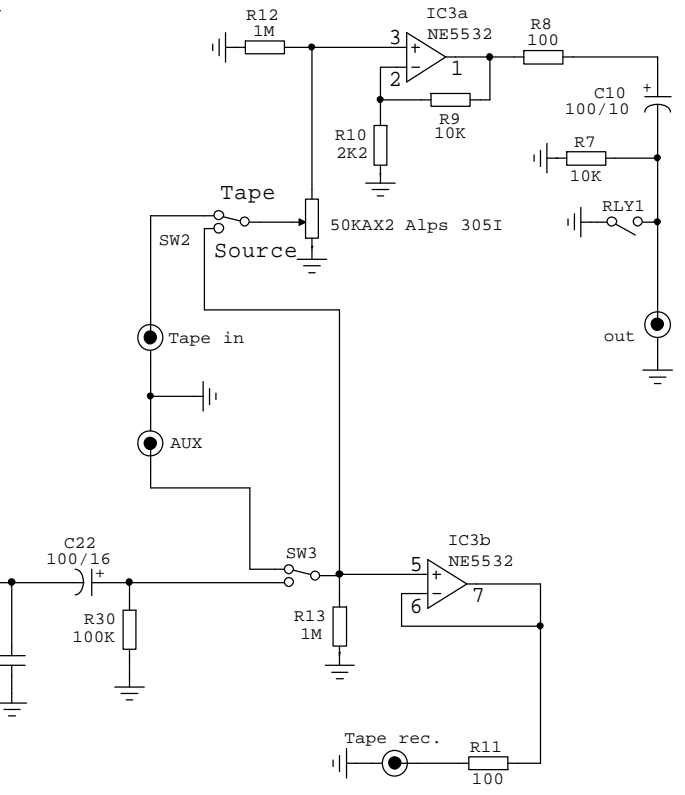
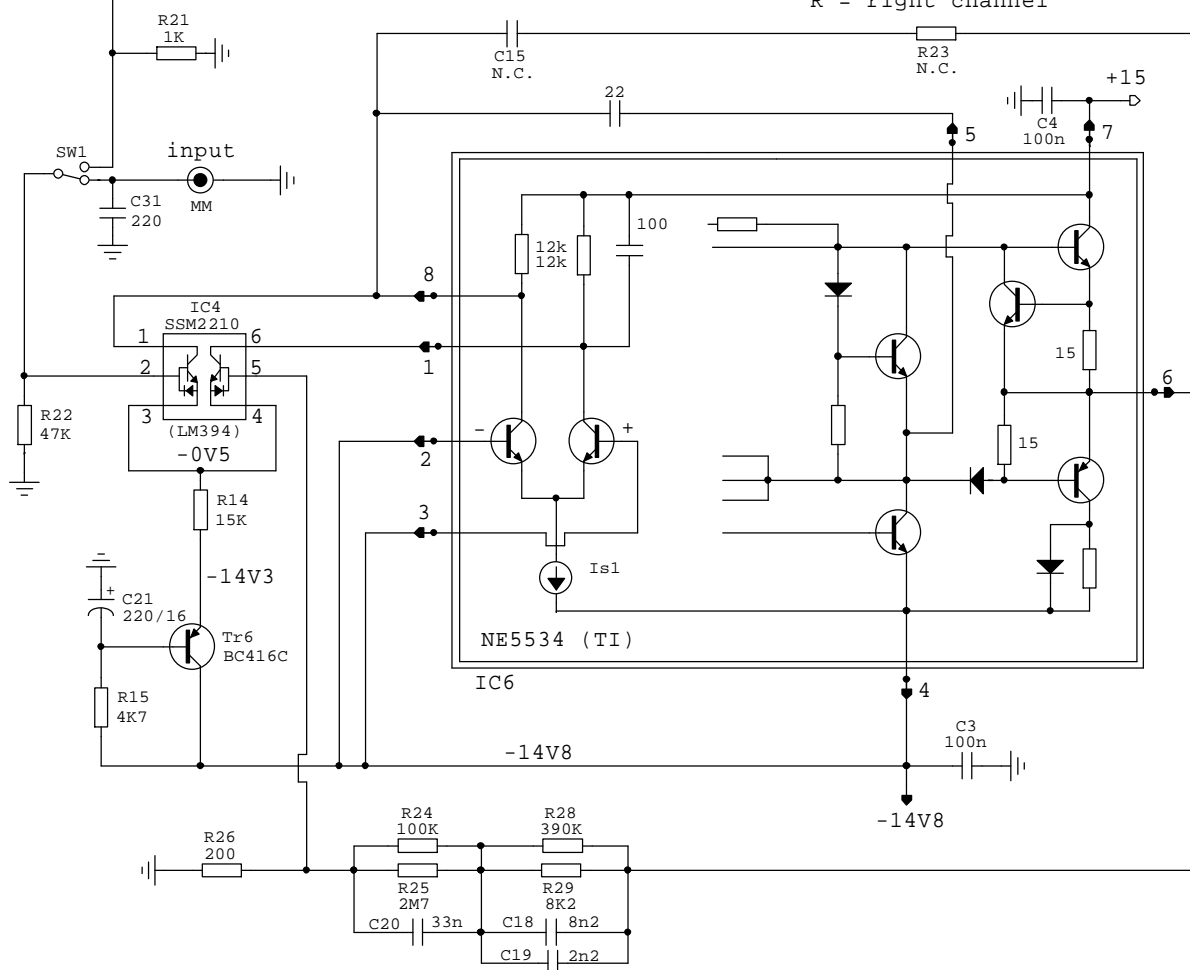
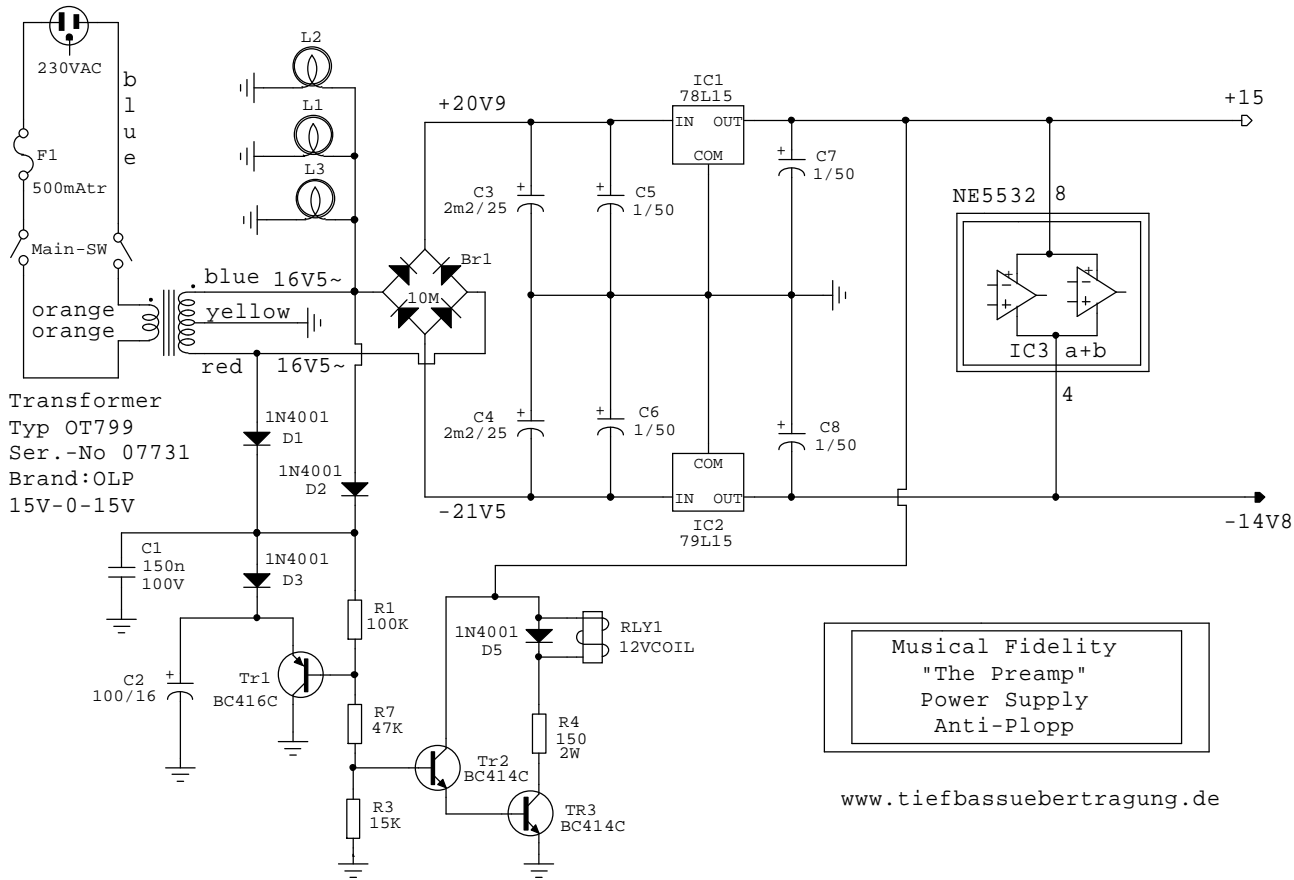


by device No
please note:
L = left channel
R = right channel



Musical Fidelity
"The Preamp"
MM-MC RIAA Head Amp
Line Amp Tape Buffer



Musical Fidelity
"The Preamp"
Power Supply
Anti-Plopp

www.tiefbassuebertragung.de