

6

5

4

3

2

1

REVISION RECORD			
LTR	ECO NO:	APPROVED:	DATE:

D

D

C

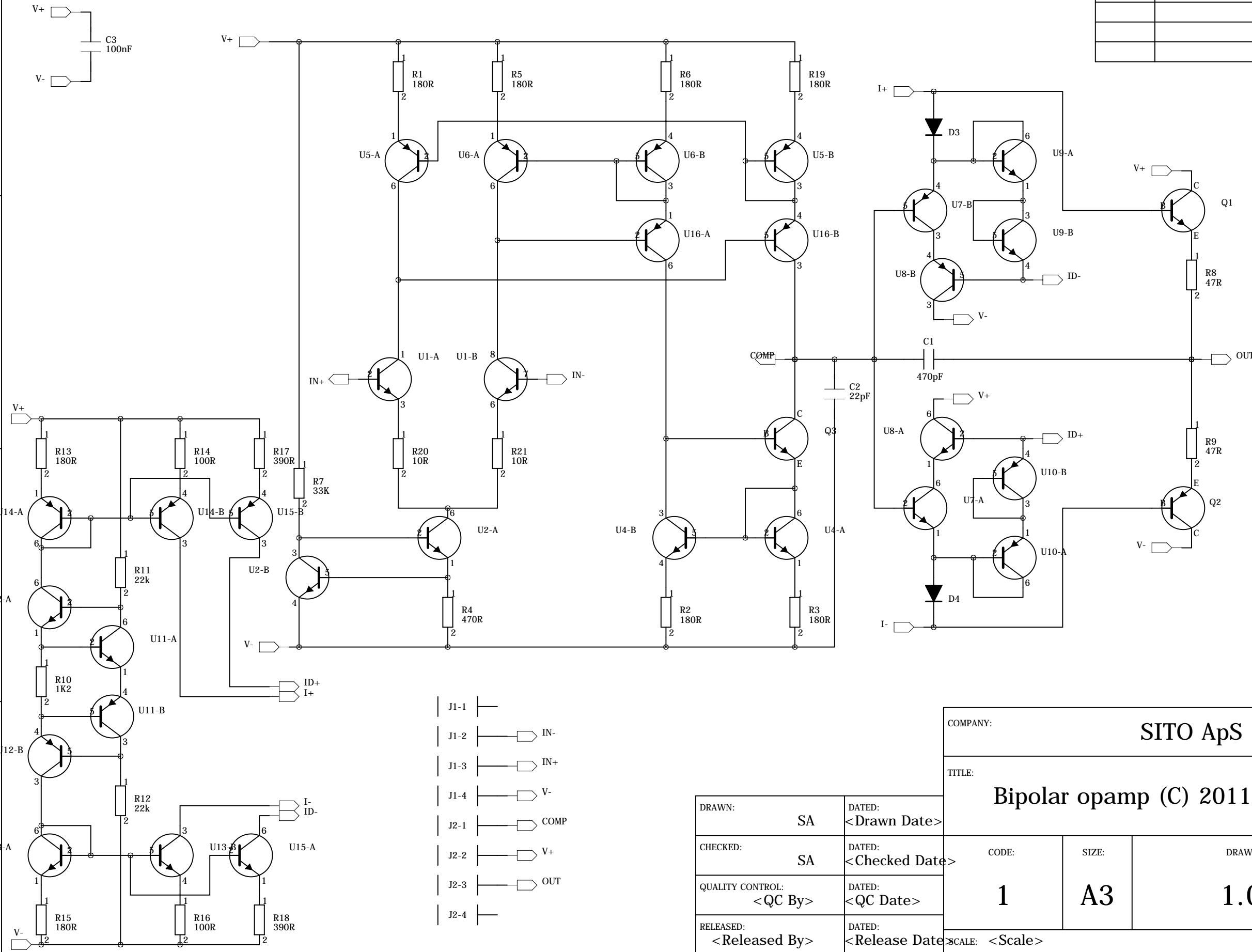
C

B

B

A

A



- J1-1 |
- J1-2 | IN-
- J1-3 | IN+
- J1-4 | V-
- J2-1 | COMP
- J2-2 | V+
- J2-3 | OUT
- J2-4 |

DRAWN:	SA	DATED:	<Drawn Date>
CHECKED:	SA	DATED:	<Checked Date>
QUALITY CONTROL:	<QC By>	DATED:	<QC Date>
RELEASED:	<Released By>	DATED:	<Release Date>

COMPANY:				SITO ApS			
TITLE:							
Bipolar opamp (C) 2011 - 2015							
CODE:	SIZE:	DRAWING NO:		REV:			
1	A3	1.0		1.0			
SCALE: <Scale>						SHEET: 1 of 1	