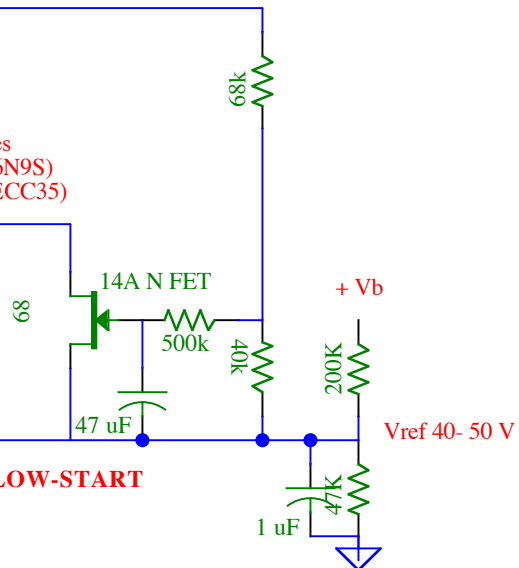


Power supply RI/
 Version 3
 May 2012
 Albert Kuiper

12.5 V DC
Noise < -80dB



y RIAA

r