

6

5

4

3

2

1

REVISION RECORD			
LTR	ECO NO:	APPROVED:	DATE:

D

D

C

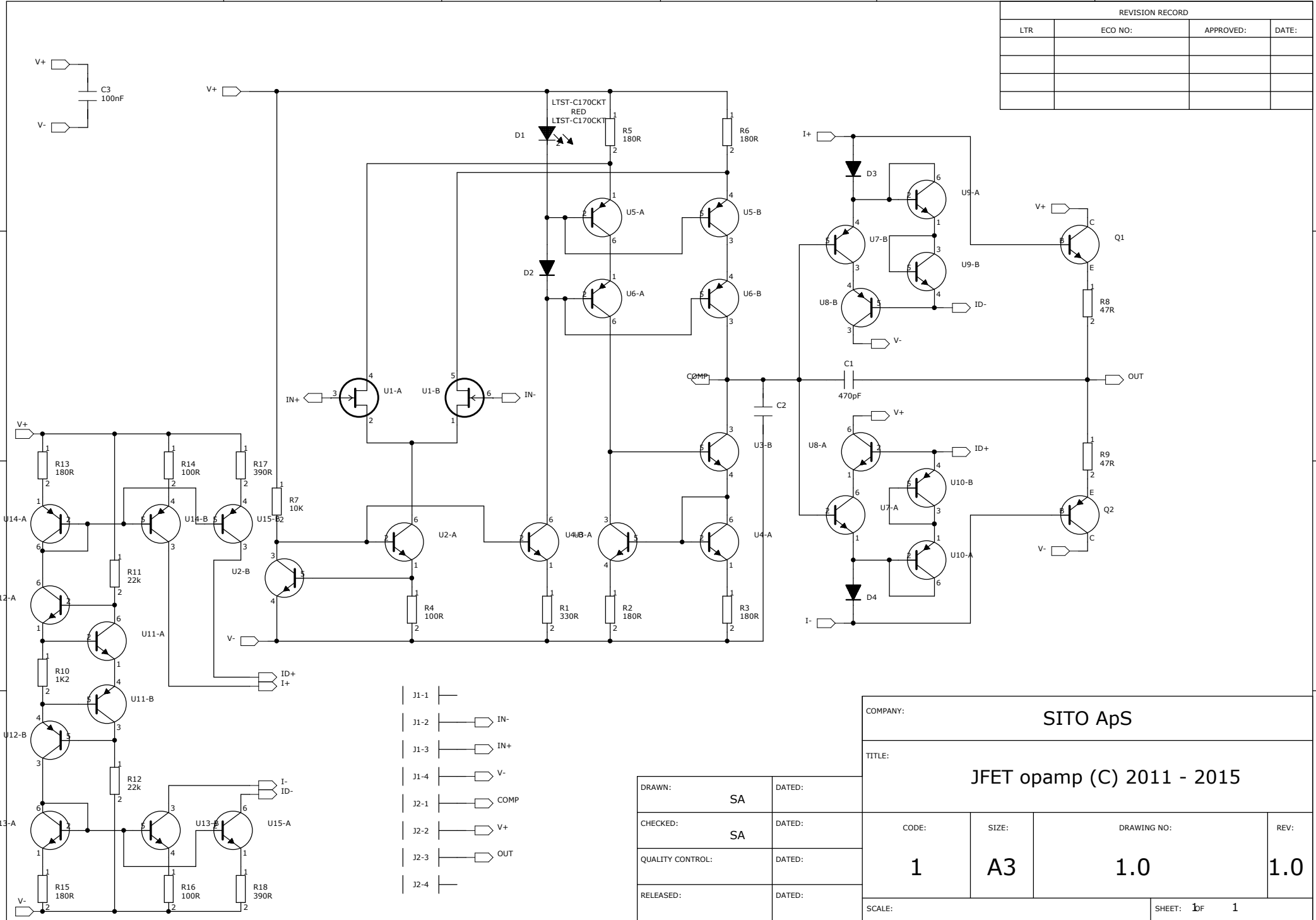
C

B

B

A

A



- J1-1
- J1-2 IN-
- J1-3 IN+
- J1-4 V-
- J2-1 COMP
- J2-2 V+
- J2-3 OUT
- J2-4

DRAWN:	SA	DATED:	
CHECKED:	SA	DATED:	
QUALITY CONTROL:		DATED:	
RELEASED:		DATED:	

COMPANY: SITO ApS			
TITLE: JFET opamp (C) 2011 - 2015			
CODE: 1	SIZE: A3	DRAWING NO: 1.0	REV: 1.0
SCALE:			SHEET: 1 of 1