

Title		Revision	
Size	Number		
A			
Date:	24/09/2010	Sheet of	
File:	C:\Program Files (x86)\Top_Level\SchDoc\Drawn By:		

4

3

2

1

A

B

C

D

A

B

C

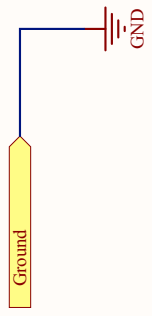
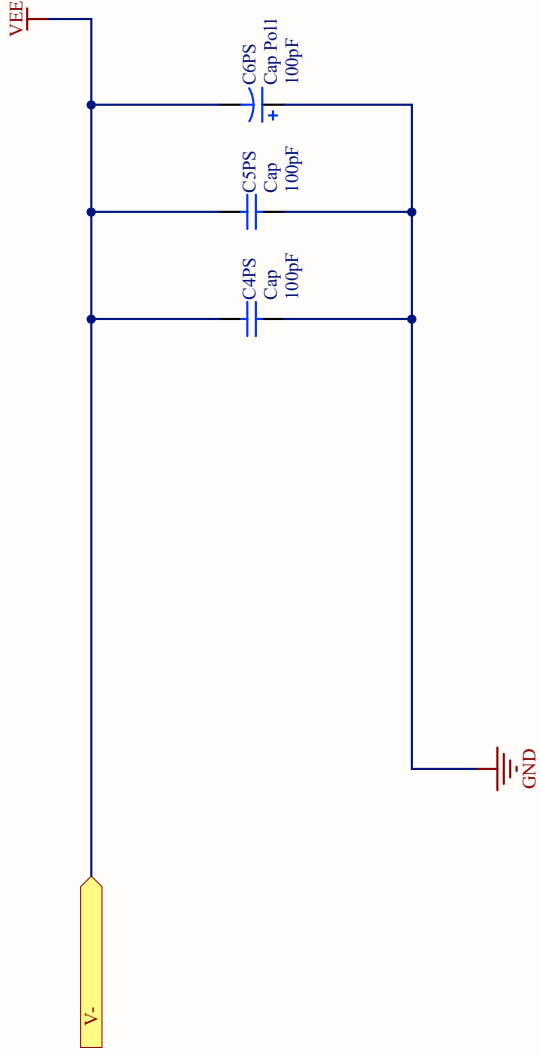
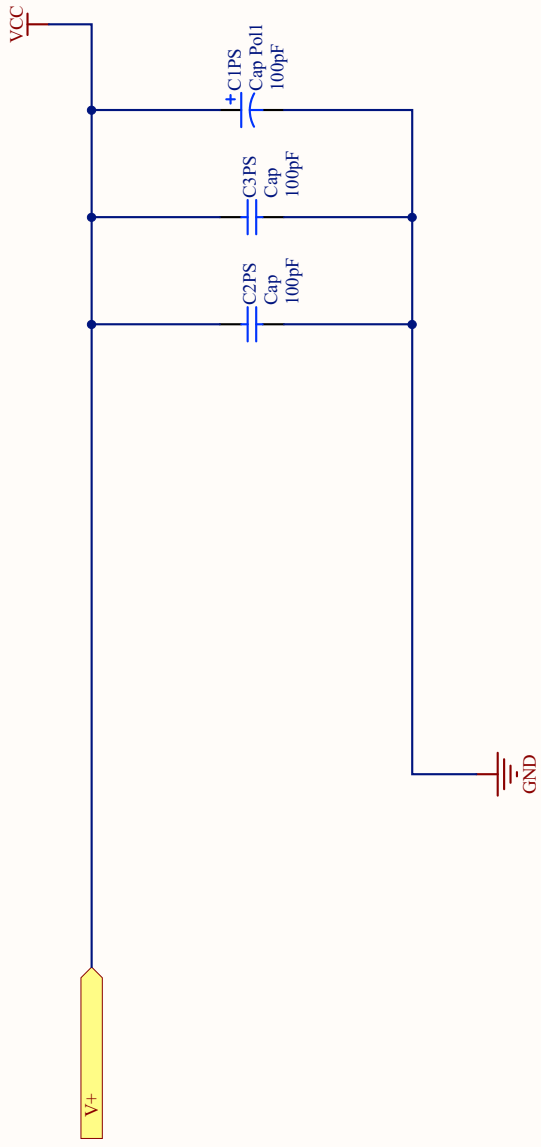
D

4

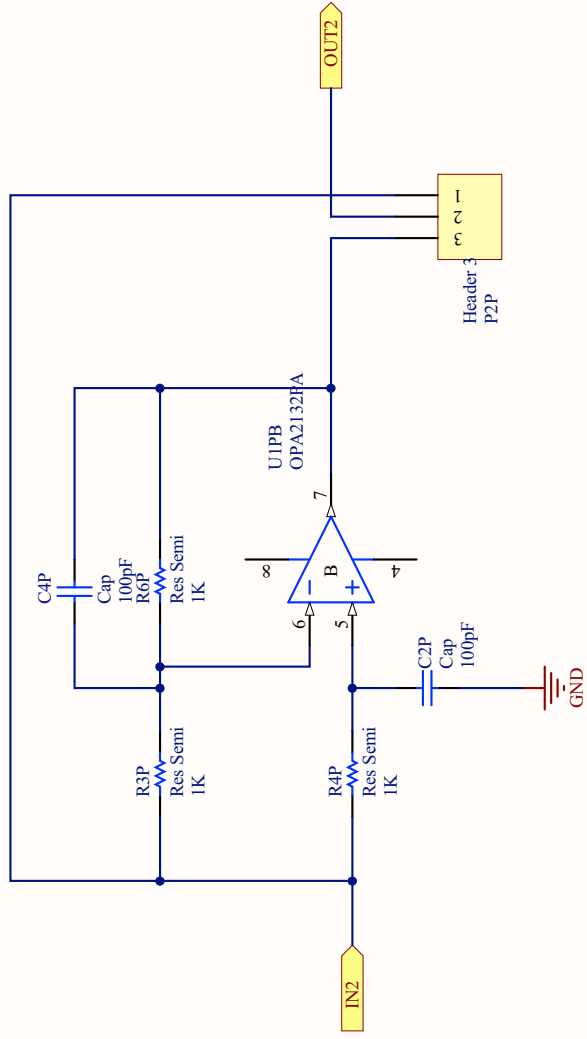
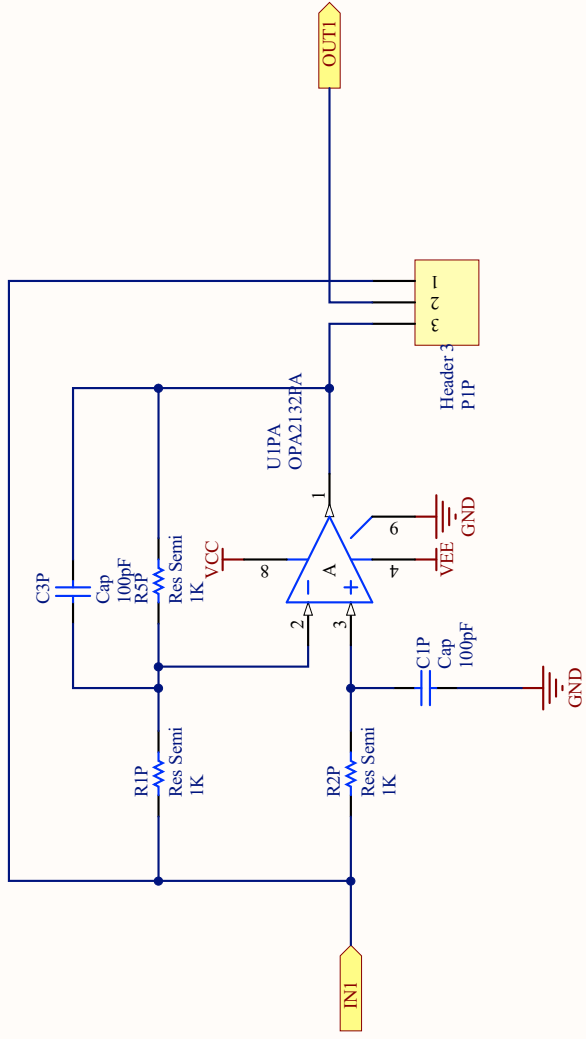
3

2

1



Title	
Size	Number
A	
Date:	Revision
24/09/2010	
File:	Sheet of
C:\Program Files (x86)\...PSU.SchDoc	Drawn By:



Title

Size A

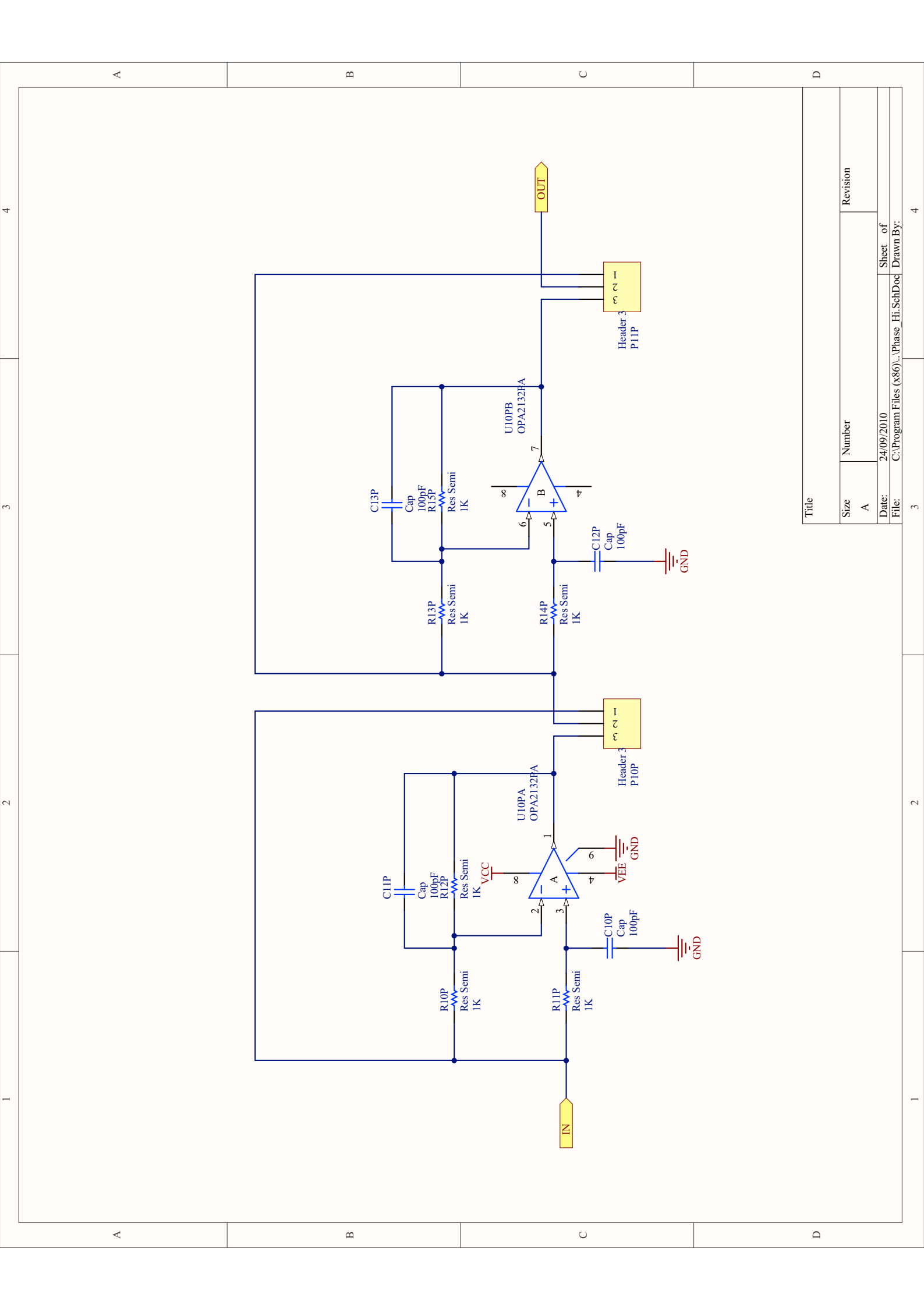
Number

Revision

Date: 24/09/2010

Sheet of

File: C:\Program Files (x86)\Phase_Mid.SchDpdDrawn By:



Title	
Size	Number
A	
Date:	24/09/2010
File:	C:\Program Files (x86)\Phase_Hi_SchDoc
Revision	
Sheet of	
Drawn By:	

A

B

C

D

A

B

C

D

4

3

2

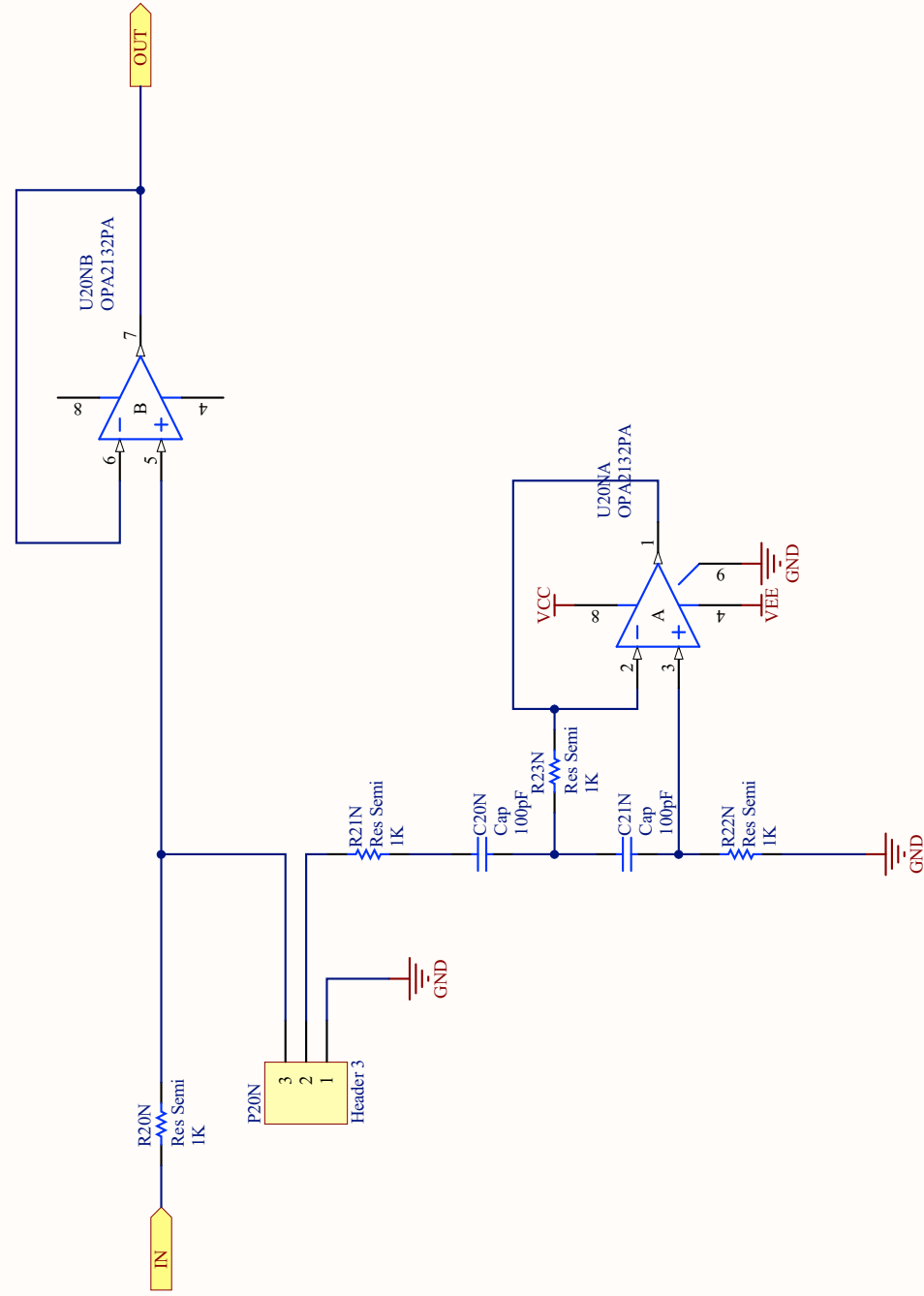
1

4

3

2

1



Title	
Size	Number
A	
Date:	24/09/2010
File:	C:\Program Files (x86)\Notch_Mid_SchDp\Drawn By:

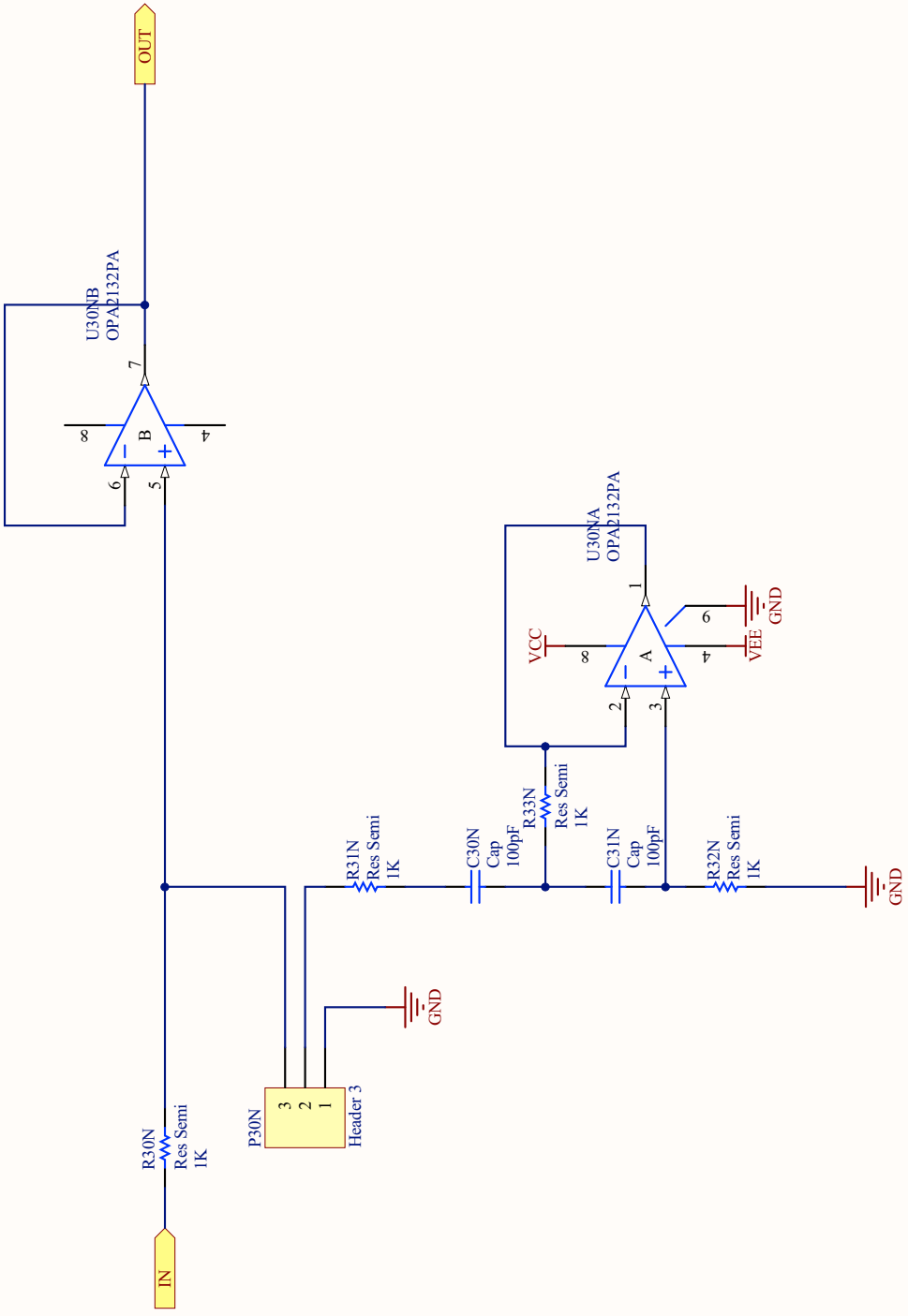
Revision

Sheet of

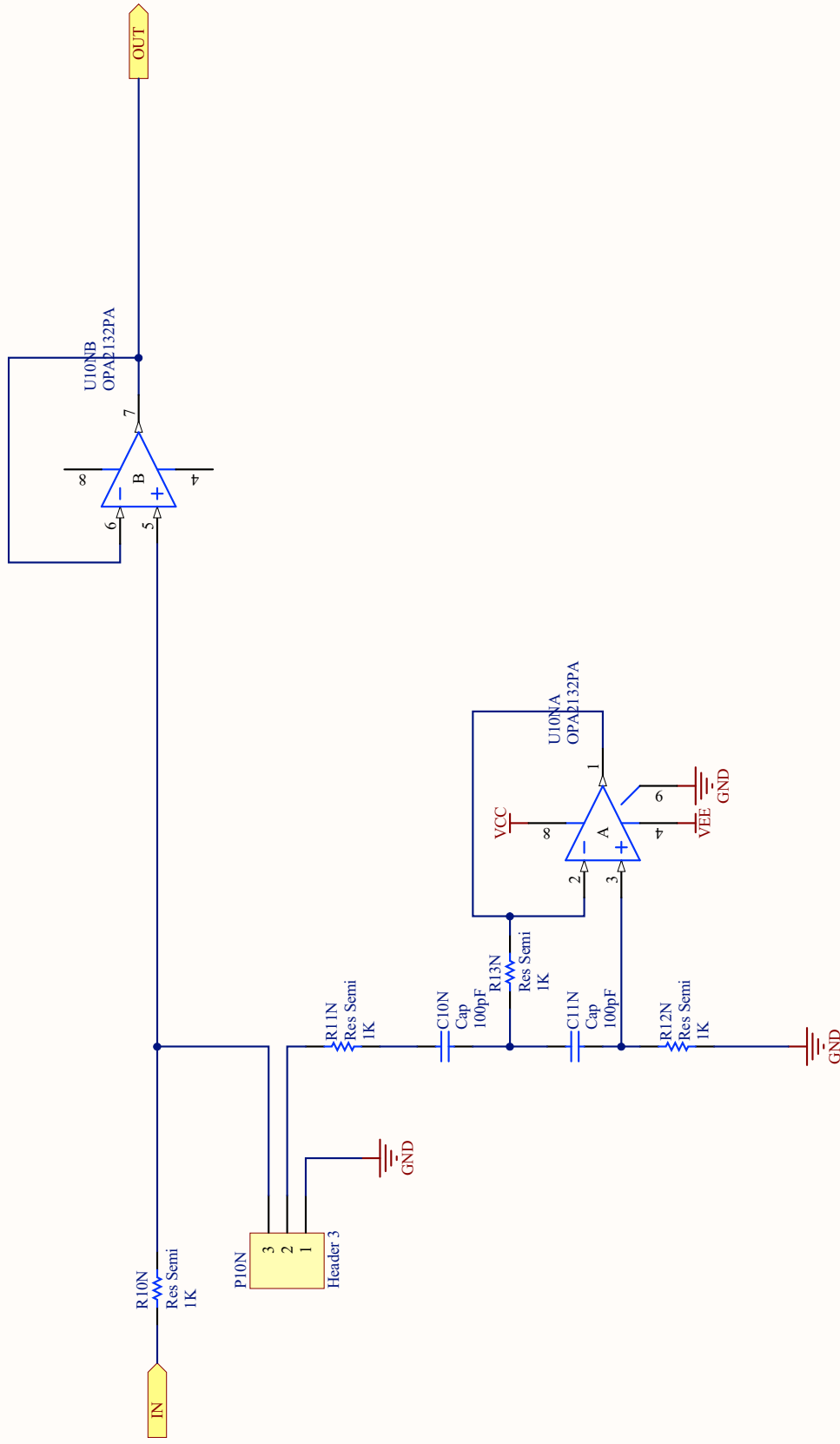
3

3

4



Title	
Size	Number
A	
Date:	24/09/2010
File:	C:\Program Files (x86)\Notch_Low_SchDoc\Drawn By:
Revision	
Sheet of	
4	



Title

Size
A

Number

Revision

Date: 24/09/2010

File: C:\Program Files (x86)\Notch Hi.SchDoc

Sheet of

Drawn By:

A

B

C

D

4

3

2

1

A

B

C

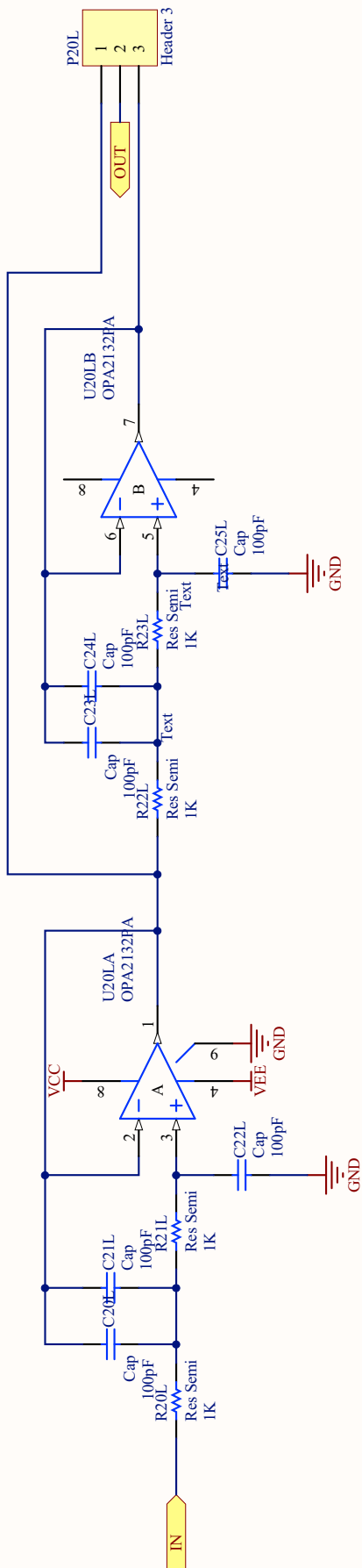
D

4

3

2

1



P20L
1
2
3
Header 3

U20LB
OPA2132FA

U20LA
OPA2132FA

IN

OUT

Title

Revision

Number

A

Sheet of

24/09/2010

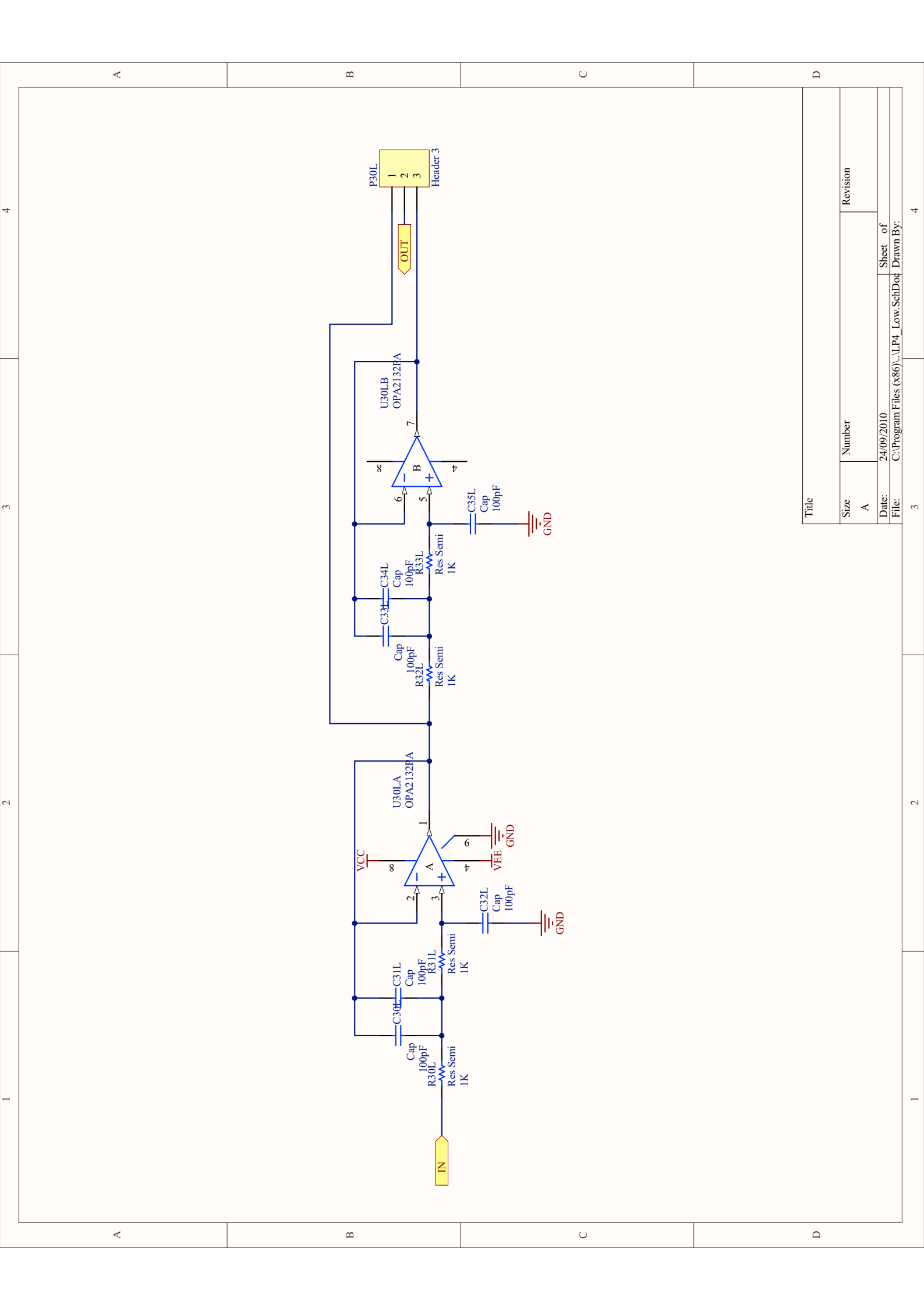
File:

C:\Program Files (x86)\...LP4_Mfd.SchDoc

Drawn By:

3

4



Title	
Size	Number
A	
Date:	24/09/2010
File:	C:\Program Files (x86)\...LP4 Low.SchDoc
Revision	
Sheet of	
Drawn By:	

4

3

2

1

A

B

C

D

A

B

C

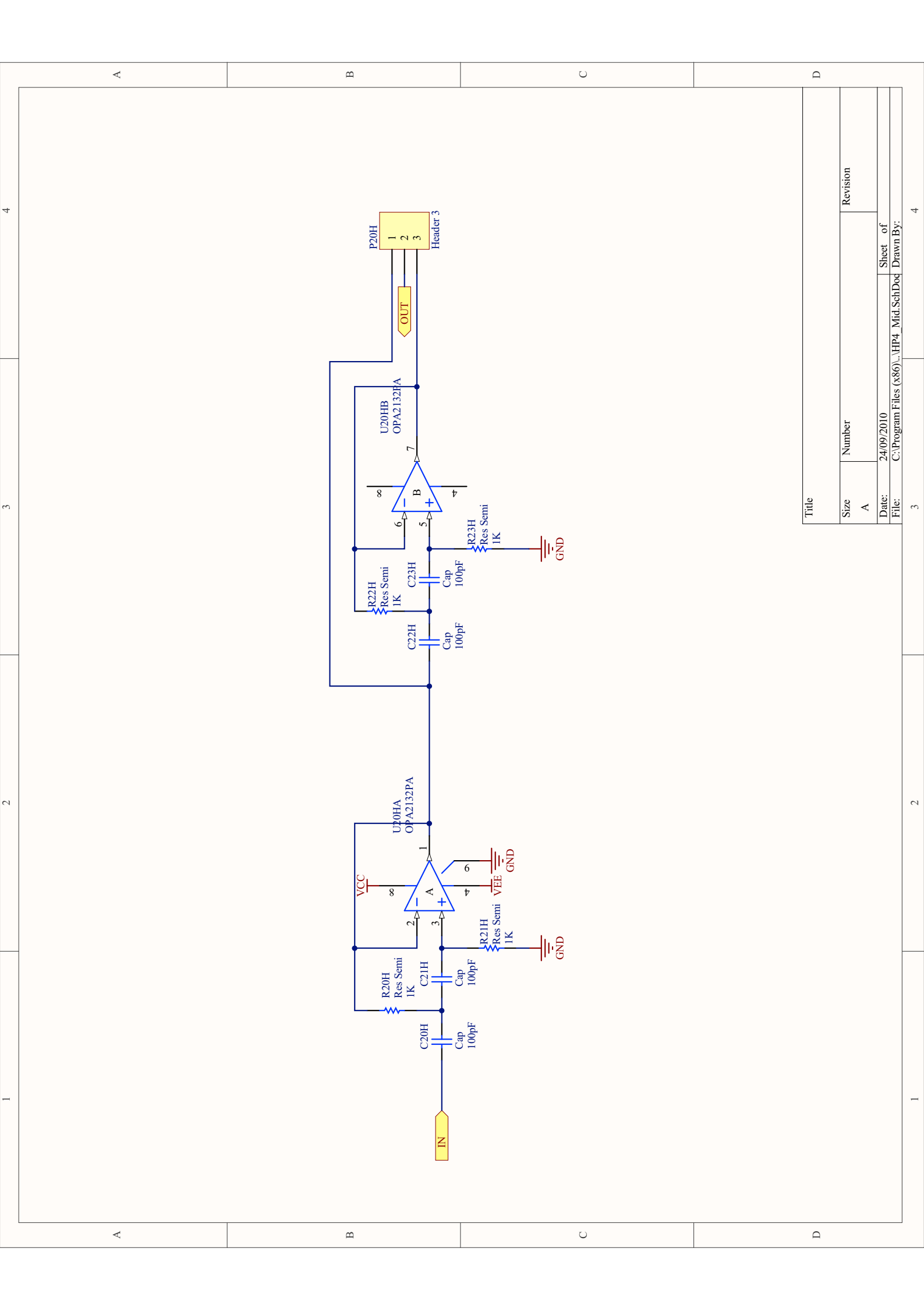
D

4

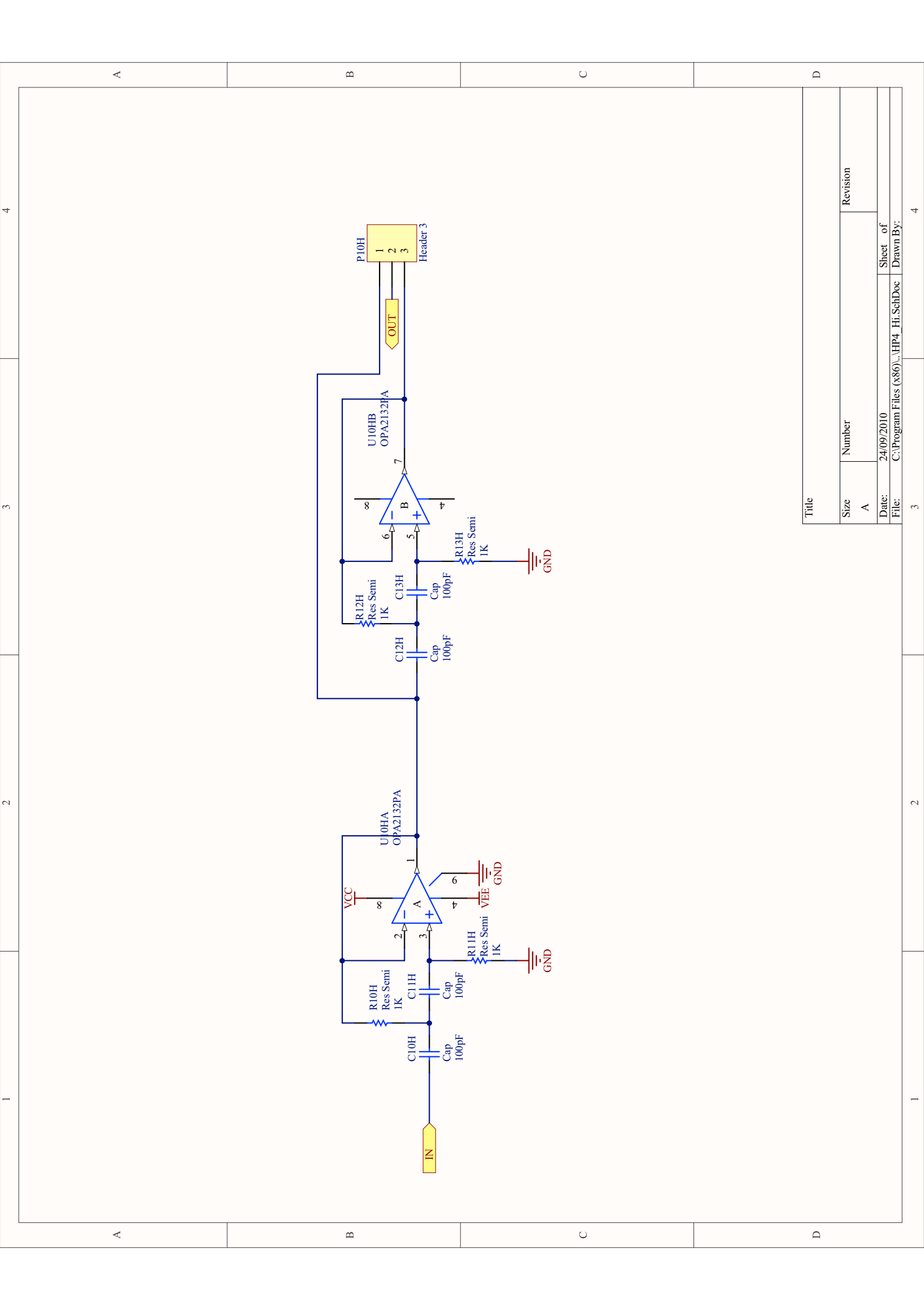
3

2

1



Title	
Size	Number
A	
Date:	24/09/2010
File:	C:\Program Files (x86)_HP4_Mid_SchDoc Drawn By:



Title	
Size	Number
A	
Date:	24/09/2010
File:	C:\Program Files (x86)_HP4_Hi_SchDoc
Revision	
Sheet of	
Drawn By:	

A

B

C

D

A

B

C

D

4

3

2

1

4

3

2

1

A

B

C

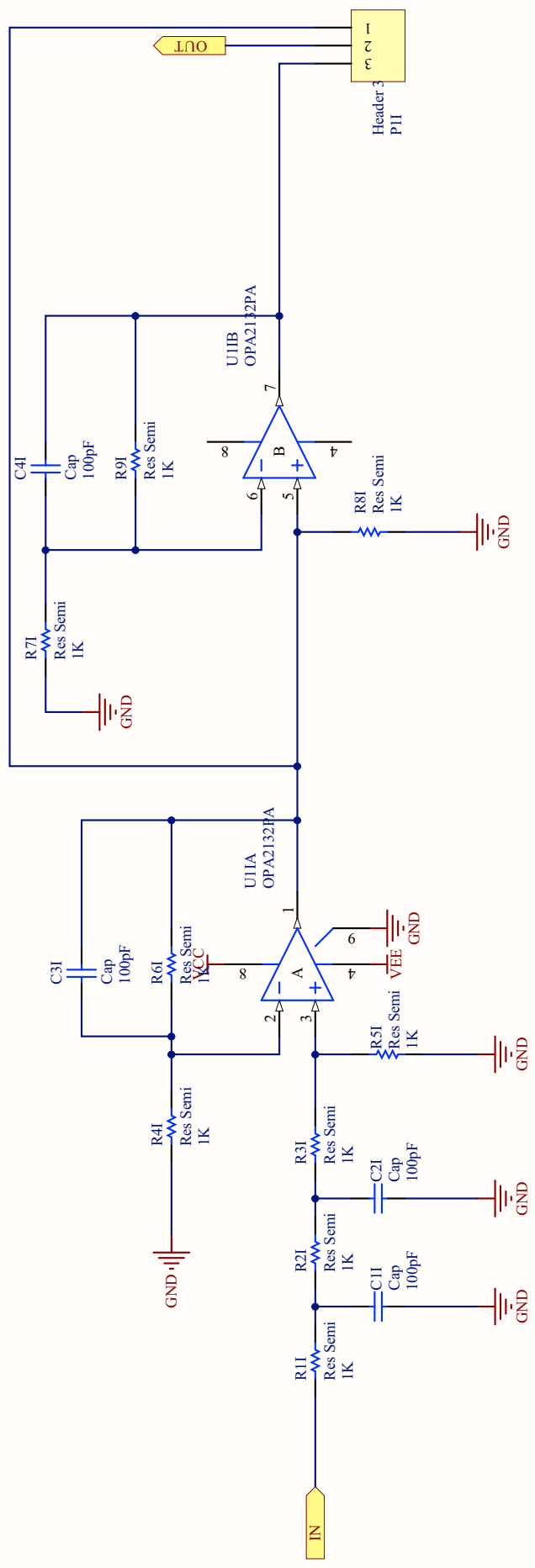
D

A

B

C

D



Title	
Size	Number
A	
Date:	24/09/2010
File:	C:\Program Files (x86)_Buffer+LP_SchDoc\Drawn By:

A

B

C

D

A

B

C

D

4

3

2

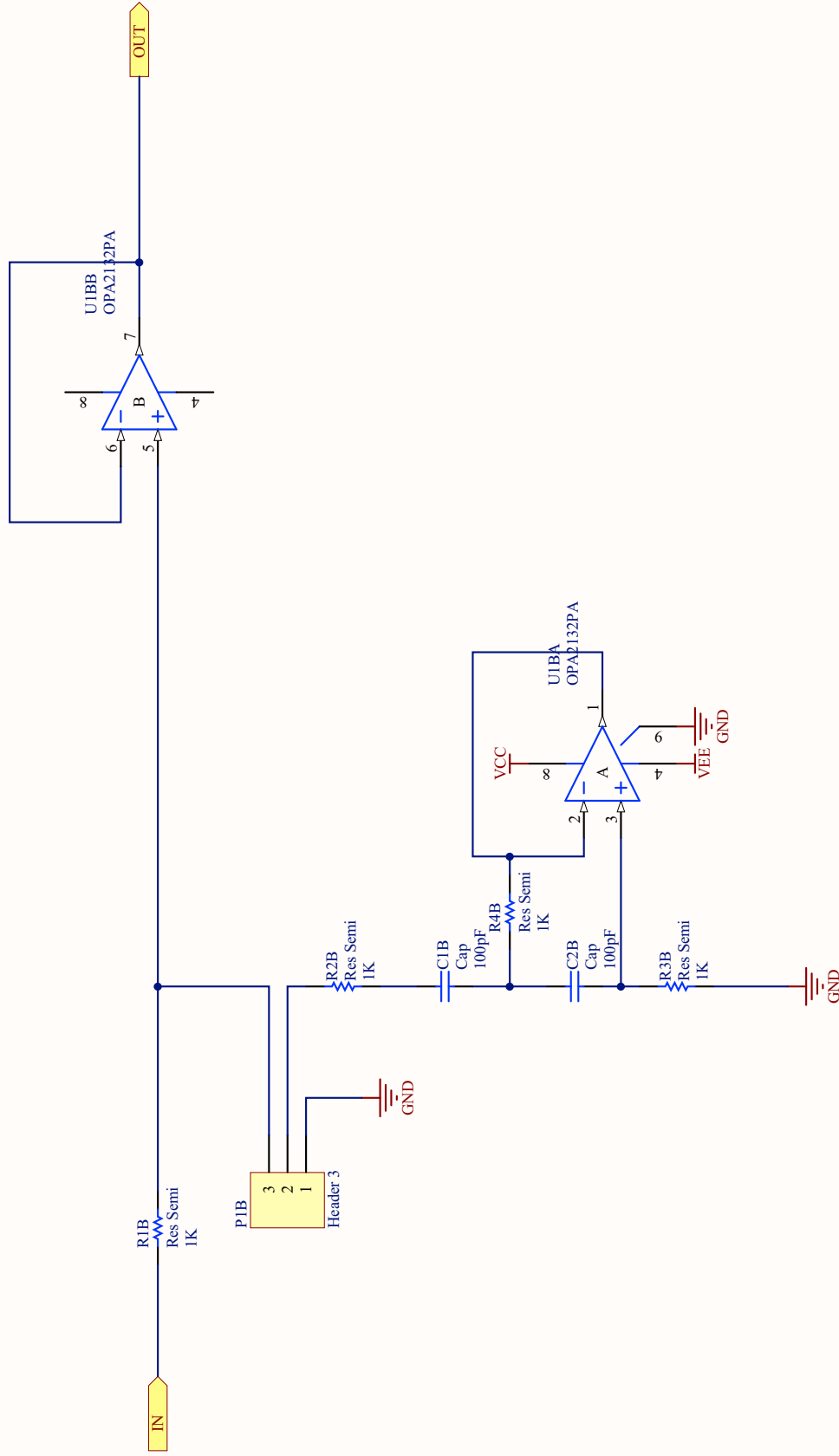
1

4

3

2

1



Title

Size

A

Number

Revision

Date:

24/09/2010

Sheet of

3

File:

C:\Program Files (x86)_Bafflestep+Buffer\SBuffDoc By:

Title	
Size	Number
A	
Date:	Revision
24/09/2010	
Sheet of	
3	
File:	
C:\Program Files (x86)_Bafflestep+Buffer\SBuffDoc By:	