

1

2

3

4

A

A

B

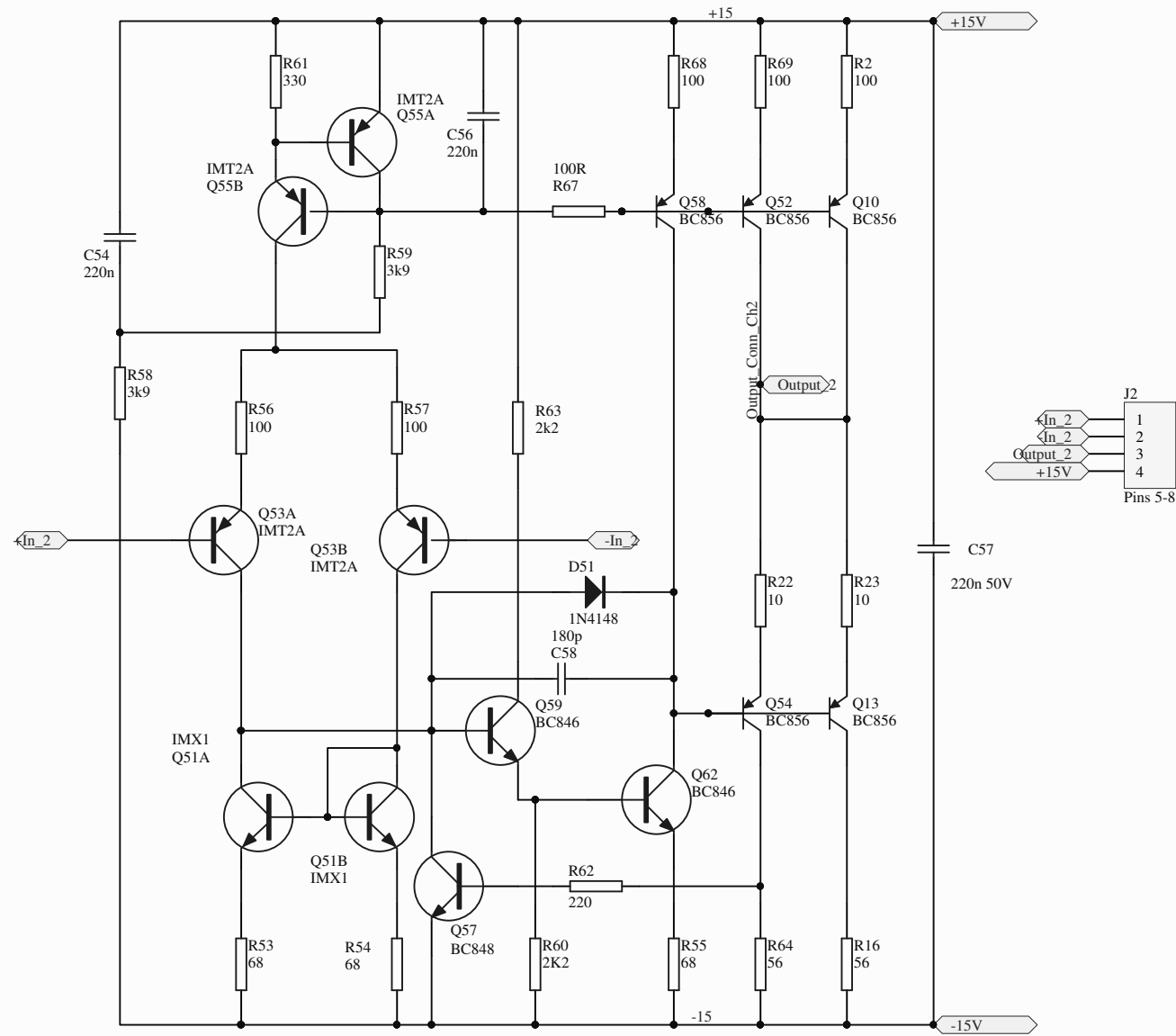
B

C

C

D

D



Title		
Size: A4	Number:	Revision:
Date: 11/05/2017	Time: 10:35:12 AM Sheet2 of 3	
File: C:\PIP_Local_Work\Me\Electronics\CAD\preamp\Preamp_SMD_2017_2S_Db\OP\Documents\OpAmp_SMD_2.sch		



1

2

3

4